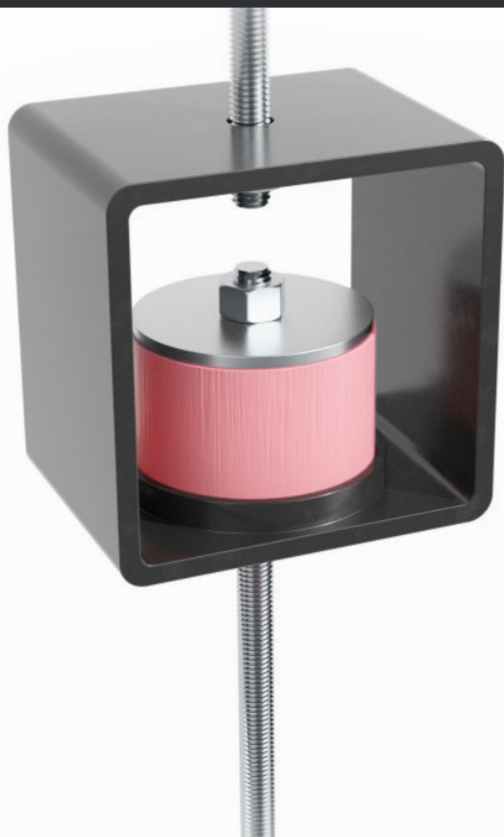
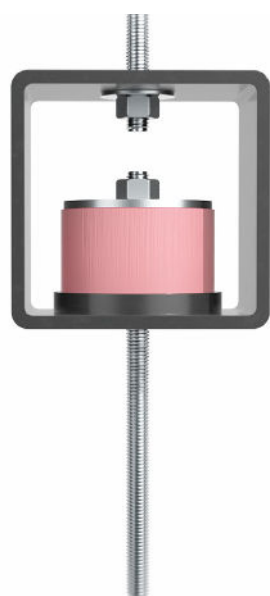


VT-RFH

Regufoam Hanger



Vibratec[®]
akustikprodukter



Description

VT-RFH is a series of REGUFOAM® Hangers available in four different load ranges. Housing and washer in zinc plated steel, elastic elements in color coded polyurethane foam.

Characteristics

Deflection:

4 - 8 mm for pads 50 mm

Resonance frequency:

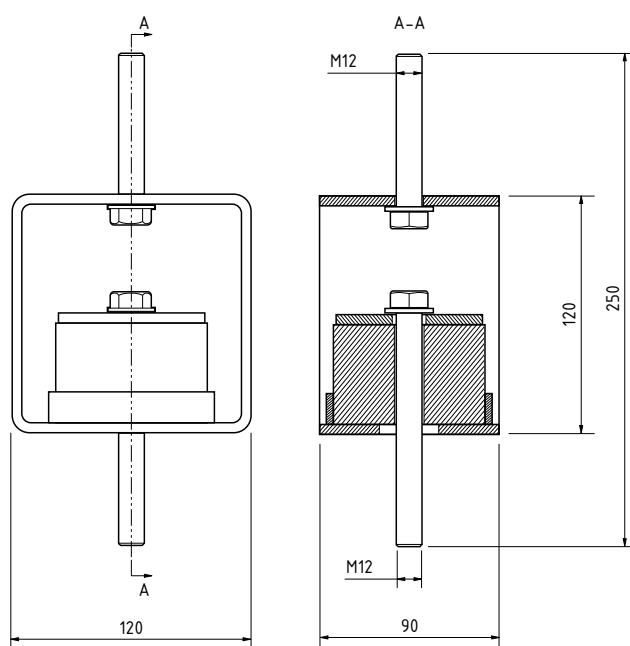
7 - 10 Hz for pads 50 mm

Applications

For elastic pendulum suspension of piping, mechanical equipment, fans, air ducts, loudspeakers and inner ceilings. The Regufoam pad acts as a vibration isolator attenuating structure born sound.

For smaller loads use VT-MCH.

Type	Load Range	Color
VT-RFH-510/50	40 - 80 kg	Beige
VT-RFH-570/50	80 - 140 kg	Pink
VT-RFH-740/50	140 - 200 kg	Red
VT-RFH-810/50	180 - 250 kg	Brown



SWEDEN

+46 176 20 78 80
INFO@VIBRATEC.SE

NORWAY

+47 33 07 07 50
INFO@VIBRATEC.NO

ESTONIA

+372 56 66 29 93
INFO@VIBRATEC.EE

DENMARK

+45 49 13 22 44
INFO@VIBRATEC.DK

FINLAND

+358 40 258 9117
PALVELU@3DI.FI

INDIA

+91 775 599 63 08
RC@VIBRATEC.IN

FRANCE

+46 176 20 78 80
INFO@VIBRATEC.EU