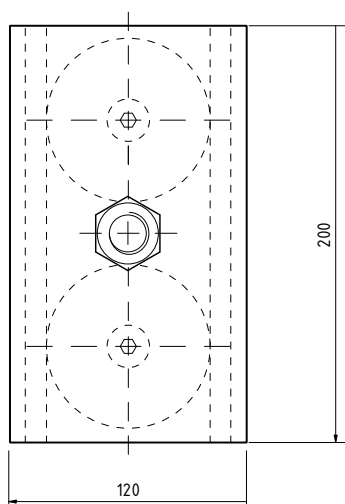
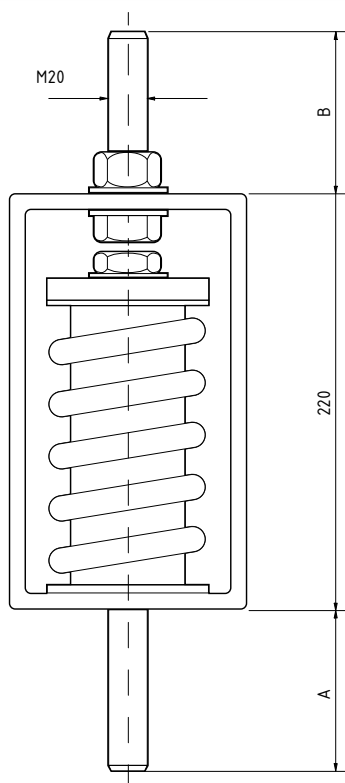


Spring Isolator Pack VT-4524-2X

Spring Hanger



Vibratec[®]
akustikprodukter



Description

Single working all metal telescopic mount. Spring made of high tensile steel.

Resilient element, cushion in stainless steel wire. Scrolls in aluminium. Other parts in mild steel.

Characteristics

- Mounts with very low natural frequenc: 3-4 Hz, depending on preload.
- Accepts both static and dynamic tension forces
- Maximum excitation: ± 1 mm
- Mechanical strength: 2 g
- Amplification factor: < 8
- Temperature range: -90°C to $+300^{\circ}\text{C}$

Type	Load range in daN(=kg)
VT-4524-25	420 - 620
VT-4524-26	600 - 840
VT-4524-27	700 - 1100

Application

Isolation of exhaust-, air- and steam-pipes. Stabilisation of frames and equipment on vessels, vehicles etc.

Type	A	B	Weight (kg)
VT-4524-25	100	120	10.5
VT-4524-26	100	120	10.6
VT-4524-27	100	120	10.7

Note

- For smaller loads, see isolator **VT 4525-0X**.
- For larger loads, see isolator **VT 4525-4X**.

SWEDEN

+46 176 20 78 80
INFO@VIBRATEC.SE

NORWAY

+47 33 07 07 50
INFO@VIBRATEC.NO

ESTONIA

+372 56 66 29 93
INFO@VIBRATEC.EE

DENMARK

+45 49 13 22 44
INFO@VIBRATEC.DK

FINLAND

+358 40 258 9117
PALVELU@3DI.FI

INDIA

+91 775 599 63 08
RC@VIBRATEC.IN

FRANCE

+46 176 20 78 80
INFO@VIBRATEC.EU