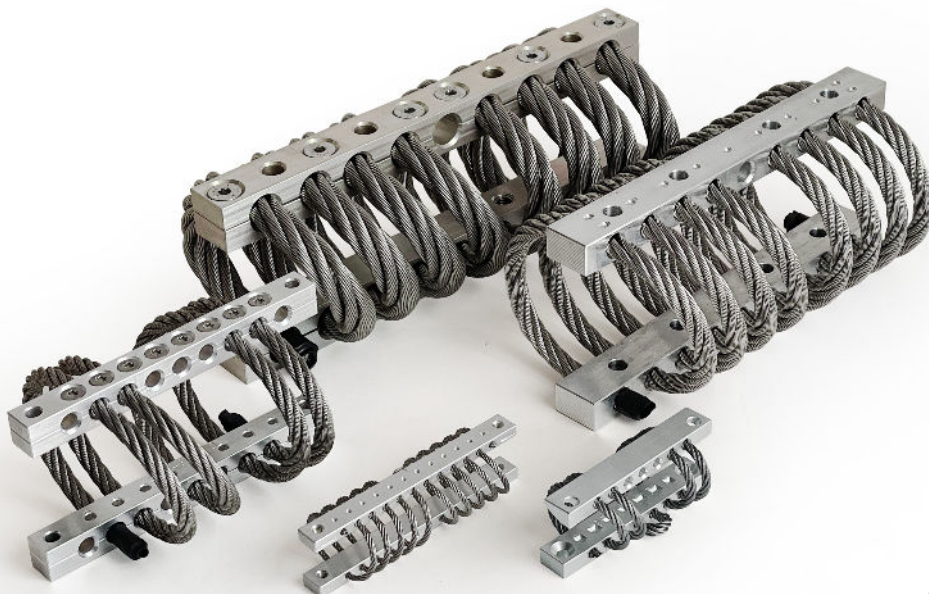


Series A08

Wire Rope Isolators



Vibratec[®]
akustikprodukter



Series A08

Standard Series - Dimensions Pressed Design

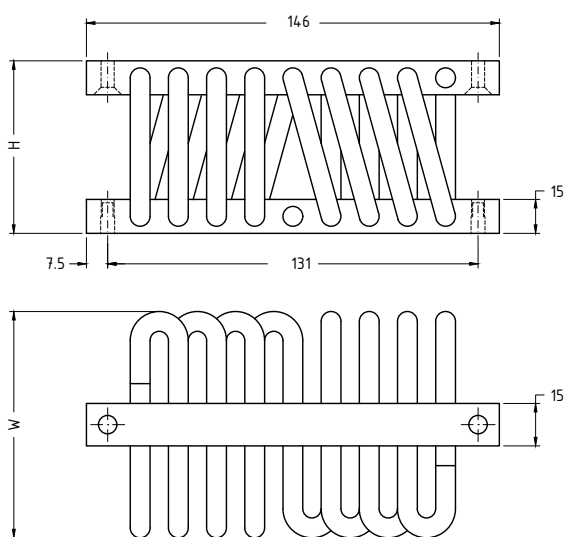
Cable mount type number	Height (H) (mm)	Width (W) (mm)	Mass (kg)
A080146-083-XX-P	83	109	0.70
A080146-068-XX-P	68	96	0.65
A080146-064-XX-P	64	81	0.60
A080146-060-XX-P	60	72	0.55
A080146-055-XX-P	55	64	0.50

Fixture Hole Type	Code
Through holes 6,5 mm	I
Through holes countersunk	Y
Inserts M6	M

Each cable mount has six alternative configurations with regard to fixture holes (ref. table to above). When ordering, make your choice and add the required hole configuration code to the type number. First letter is for upper bar and the second letter is for the bottom.

WRI-configurations we produce: II, IY, YY, IM, YM and MM.

Example: Wire Rope Isolator A080146-083-YM-P



The number of wire rope loops can be less than 8, f.inst. 4 or 6, whereat the load range is correspondingly reduced.

Description

Combined all-metal multi-directional anti-vibration and anti-shock mounts.

Characteristics

No aging – Corrosion resistant – High inherent damping – Very low amplification at resonance – Severe shock attenuation – Wide temperature range (-180°C to +300°C) – Maintenance free

Applications

- Resilient suspensions meeting military standards
- Isolation of sensitive electronic equipment
- Isolation of generators, pumps and compressors,
- Exhaust system suspension
- Isolation of cabinets, containers etc.
- Protection of equipment during transport
- Extreme temperature applications

Load mode: Compression

Typical load range: 25 - 100 kg

Cable mount type number	Rated load at 10 Hz (kg)	Max. static load (kg)	Max. dyn. travel (mm)
A080146-083-XX-P	30	49	48
A080146-068-XX-P	45	59	34
A080146-064-XX-P	62	77	31
A080146-060-XX-P	80	92	27
A080146-055-XX-P	105	110	23

Load mode: 45° Compression/roll

Typical load range: 15 - 70 kg

Cable mount type number	Rated load at 10 Hz (kg)	Max. static load (kg)	Max. dyn. travel (mm)
A080146-083-XX-P	18	35	67
A080146-068-XX-P	27	42	48
A080146-064-XX-P	37	54	43
A080146-060-XX-P	47	65	38
A080146-055-XX-P	62	78	32

Load mode: Shear and roll

Typical load range: 4 - 20 kg

Cable mount type number	Rated load at 12 Hz (kg)	Max. static load (kg)	Max. dyn. travel (mm)
A080146-083-XX-P	5	21	50
A080146-068-XX-P	7	25	36
A080146-064-XX-P	10	32	32
A080146-060-XX-P	13	39	28
A080146-055-XX-P	17	47	24

SWEDEN

+46 176 20 78 80
INFO@VIBRATEC.SE

NORWAY

+47 33 07 07 50
INFO@VIBRATEC.NO

ESTONIA

+372 56 66 29 93
INFO@VIBRATEC.EE

DENMARK

+45 49 13 22 44
INFO@VIBRATEC.DK

FINLAND

+358 40 258 9117
PALVELU@3D.LI

INDIA

+91 775 599 63 08
RC@VIBRATEC.IN

FRANCE

+46 176 20 78 80
INFO@VIBRATEC.EE