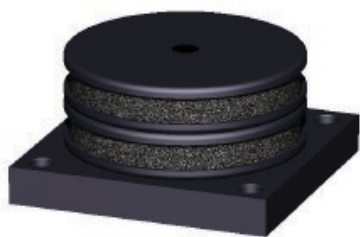


VT-GMF

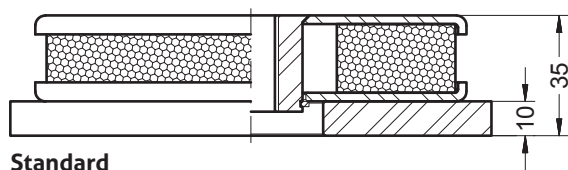
All Metal Damper



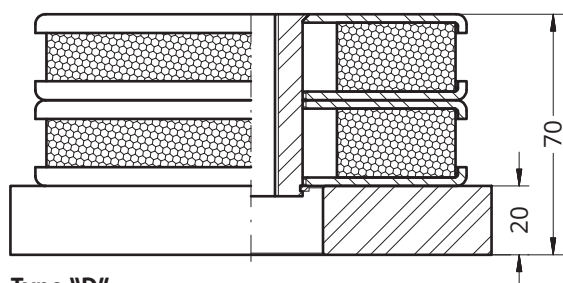
Type "D"



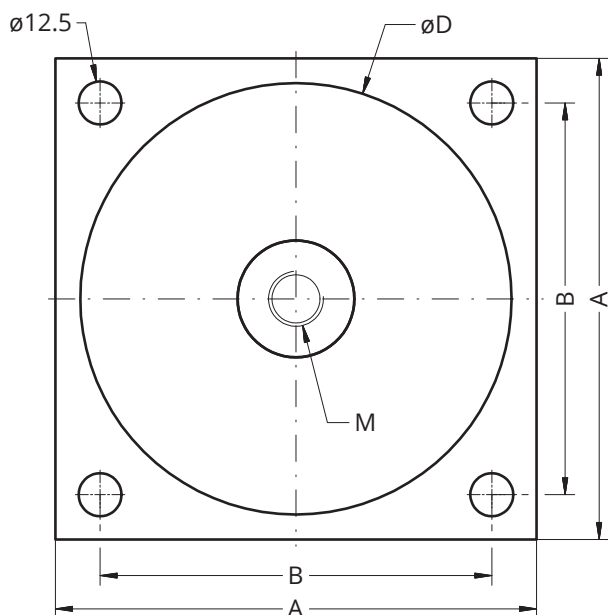
Standard



Standard



Type "D"



Description

An all metal vibration isolator for a resilient suspension of turning machines, milling machines, presses, lapping machines, grinding machines etc.

Characteristics

- Cushion seat, bottom plate of steel, KTL coated
- Damping cushion of stainless steel wire
- High static and dynamic load capacity
- Compact design
- Long lifetime
- Maintenance free

Applications

Resilient suspension of turning machines, milling machines, presses, lapping machines, grinding machines...



Standard



Type "D"

Type	Dimensions [mm]				Load capacity in [daN]		Frequency	Weight
	A	B	ØD	M	Static	Dynamic	[Hz]	[kg]
VT-GMF-3500-4	140	114	125	M16	500 - 3500	12500	15 - 20	~ 2.5
VT-GMF-D-3500-4							13 - 18	~ 5.0
VT-GMF-7000-4	170	138	165	M20	1500 - 7000	22500	15 - 20	~ 3.7
VT-GMF-D-7000-4							11 - 15	~ 7.5
VT-GMF-10000-4	170	138	165	M20	1500 - 10000	33500	23 - 28	~ 3.8
VT-GMF-D-10000-4							18 - 23	~ 7.7