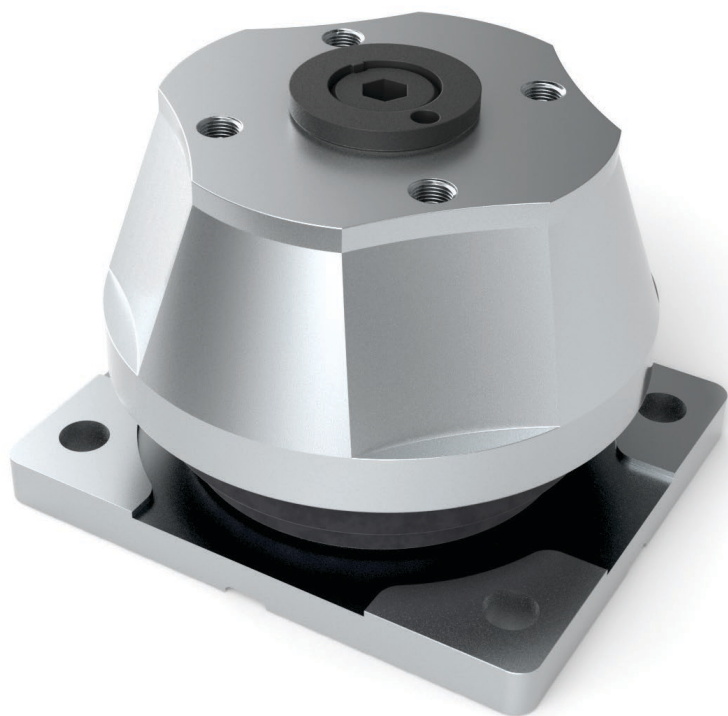


HD-Marine

Elastomer Mounts

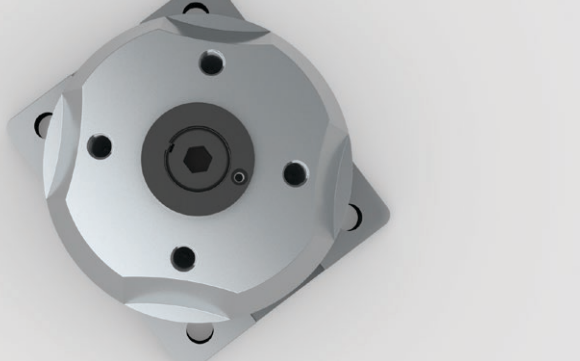
Suspension of propulsion engines and
auxiliary engines compressors



Vibratec[®]
akustikprodukter

HD Marine

Elastomer Mounts



Description

Low frequency rubber vibration isolator designed for use under propulsion engines and other marine applications.

Characteristics

Material: Natural Rubber

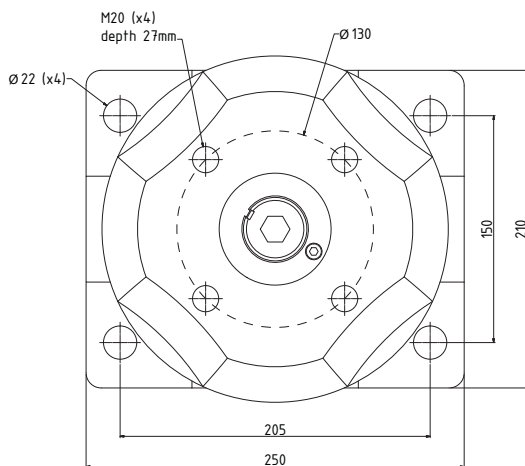
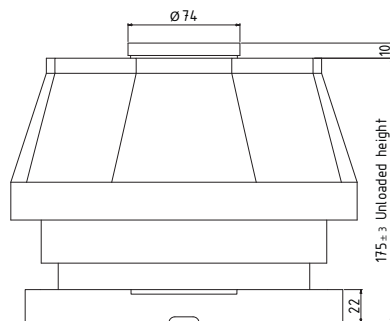
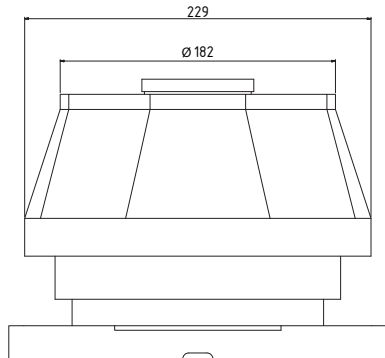
Natural frequency: 8-12 Hz.

The Amplification factor: 3-4.

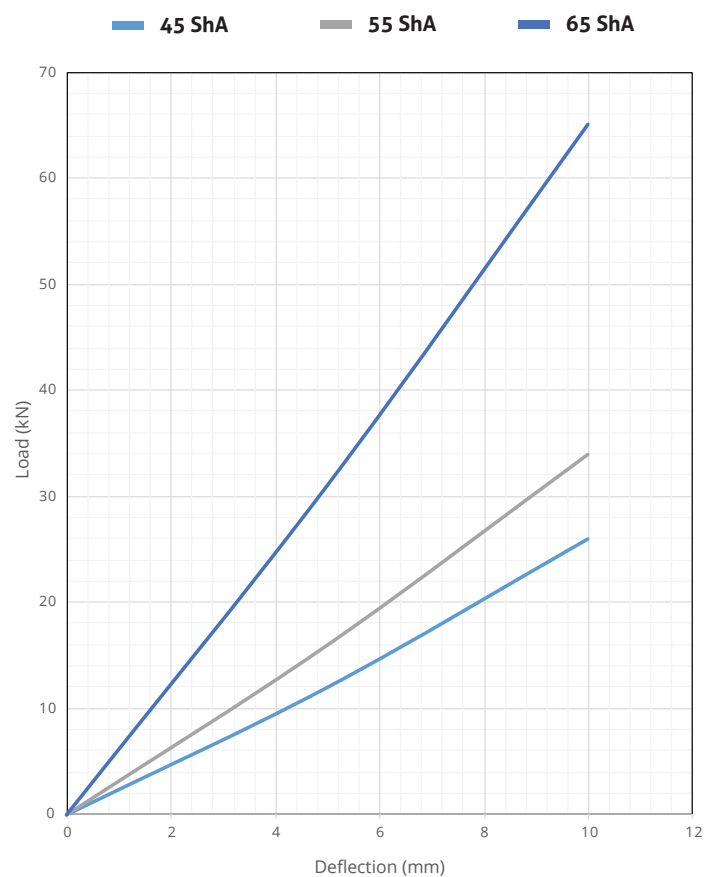
Max Shockload: 150 kN (All Directions)

Applications

Suspension of propulsion engines, auxiliary engines compressors.



Load-Deflection HD Marine



Hardness	Load Range (kN)	
	Min	Max
45 Sh	12	30
55 Sh	17	35
65 Sh	30	65

Direction	Vertical up	Vertical down	Radial
Displacement limiter clearance (mm)	4	4	3

Sweden
Tel: +46 176 20 78 80
e-mail: info@vibratec.se

Norway
Tel: +47 33 07 07 50
e-mail: info@vibratec.no

Denmark
Tel: +45 49 13 22 44
e-mail: info@vibratec.dk

Estonia
Tel: +372 56 66 29 93
e-mail: info@vibratec.ee