

Hedemoradörren - Steel

SLE and SLD – Sound insulating doors



Vibratec[®]
akustikprodukter

Steel Doors

SLE / SLD – Sound insulating doors



Description

In cooperation with HIAK, Vibratec offer sound insulating steel doors. A well-insulated wall must be fitted with the right type of door if you want to keep the noise out. Installing a Hedemoradörren door is the most efficient way to ensure the undisturbed environment that is essential during a theatrical performance, a concert or a meeting. And we always supply a sound guarantee on all our soundproof doors.

These heavy duty steel doors are perfect in a wide variety of environments, from TV studios and heavy industry.

Hedemoradörren single door in steel can be delivered from 7 x 7 M to 15 x 31 M. Couple doors in steel are offered from 11 x 20 M to 44 x 44 M. We can also manufacture even bigger steel doors and sliding doors designed to order for your specific needs. For heavy steel doors we have developed special hinges and locks with endurance for long term use.



Door leaf

Massive leaf with special design for maximum sound reduction. 3mm steel insulated with fire proof rock wool.

Frame

Steel frame as standard. Steel doors are extremely heavy and must be supplemented with a steel frame and we recommend enforcing the wall opening with steel profiles as well.

Weight

Approximately 65kg/m², and fireclassified doors approximately 75kg/m².

Lock

Delivered as standard with Östmark 1565 and ASSA standard cylinger A=82, B= 48,5. Doors can be delivered without a lock.

Sweden
Tel: +46 176 20 78 80
e-mail: info@vibratec.se

Norway
Tel: +47 33 07 07 50
e-mail: info@vibratec.no

Denmark
Tel: +45 49 13 22 44
e-mail: info@vibratec.dk

Estonia
Tel: +372 56 66 29 93
e-mail: info@vibratec.ee

Steel Doors

SLE / SLD – Sound insulating doors



Options

Electric locks, magnetic contacts, electric strikes, cable entry, cylinders, clamp protection.

Door automation

Besam PowerSwing up to size 12x24M. GEZE Powerturn.

Designation

SLE/SLD doors up to $R_w = 52\text{dB}$ with T1 Threshold.
SLE/SLD doors up to $R_w = 50\text{dB}$ with T2 Threshold.

Window

The doors can be delivered with windows with the same acoustic performance as the doors.

Door closer

Door closer may only be installed on the hinge side.
Dorma TS 83. But can be delivered with other closers too.

Emergency exit

The door can be delivered with panic bars Söderhamns Innovation P+T.

Fire doors:

SLE with T1 threshold are fire classed EI 60 (up to size 10x21M). Larger doors and couple doors must be fire classed by your local fire authority.

Surface door leaf

Door is preprimed with a primer. Painting is recommended after installation. Doors and couple doors can be made corrosion-free and acid-proof for corrosive environments.



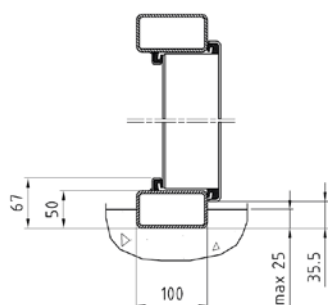
Sweden
Tel: +46 176 20 78 80
e-mail: info@vibratec.se

Norway
Tel: +47 33 07 07 50
e-mail: info@vibratec.no

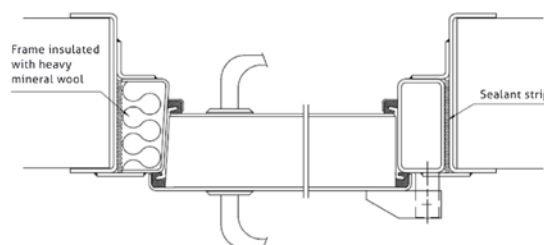
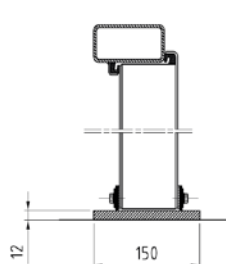
Denmark
Tel: +45 49 13 22 44
e-mail: info@vibratec.dk

Estonia
Tel: +372 56 66 29 93
e-mail: info@vibratec.ee

Threshold T1



Threshold T2



Threshold examples with a frame depth of 100mm.

Example of a montage

Size WxH (Opening in wall)	SLE		SLD		
	7x7M-15x24M	15x21M-15x31M	11x20M-24x24M	24x25M-31x31M	31x32M-45x70M
Outside frame	W-10mm H-10mm	W-20mm H-20mm	W-10mm H-10mm	W-20mm H-20mm	W-20mm H-20mm
Depth frame	100mm	100mm	100mm	100mm	200mm
Dorr leaf, thickness	82mm	82mm	82mm	82mm	126mm
Free opening with T1 threshold, door leaf opened 90°	W-192mm H-144mm	W-302mm H-210mm	W-342mm H-200mm	W-352mm H-210mm	W-424mm H-166mm
Free opening with T1 threshold, door leaf opened 180°	W-192mm H-144mm	W-253mm H-210mm	W-244mm H-200mm	W-254mm H-210mm	W-266mm H-166mm
Free opening with T2 threshold, door leaf opened 90°	W-192mm H-89mm	W-302mm H-152mm	W-342mm H-142mm	W-352mm H-152mm	W-424mm H-166mm
Free opening with T2 threshold, door leaf opened 180°	W-143mm H-89mm	W-253mm H-152mm	W-244mm H-142mm	W-254mm H-152mm	W-266mm H-166mm
Threshold height T1	67	67 (70)	67 (70)	67 (70)	67 (70)
Threshold height T2	12	12	12	12	20
Lock / Side door	FAS Östmark 1565	FIX 280L	FAS Östmark 1565 / FIX 280L	FIX 280 / FIX280	Fuhr 1190 / Fuhr 1190
Noise reduction with T1 threshold	Rw = 52 dB	Rw = 52 dB	Rw = 52 dB	Rw = 52 dB	Rw = 52 dB
Noise reduction with T2 threshold	Rw = 50 dB	Rw = 50 dB	Rw = 50 dB	Rw = 50 dB	Rw = 50 dB

Sweden
Tel: +46 176 20 78 80
e-mail: info@vibratec.se

Norway
Tel: +47 33 07 07 50
e-mail: info@vibratec.no

Denmark
Tel: +45 49 13 22 44
e-mail: info@vibratec.dk

Estonia
Tel: +372 56 66 29 93
e-mail: info@vibratec.ee