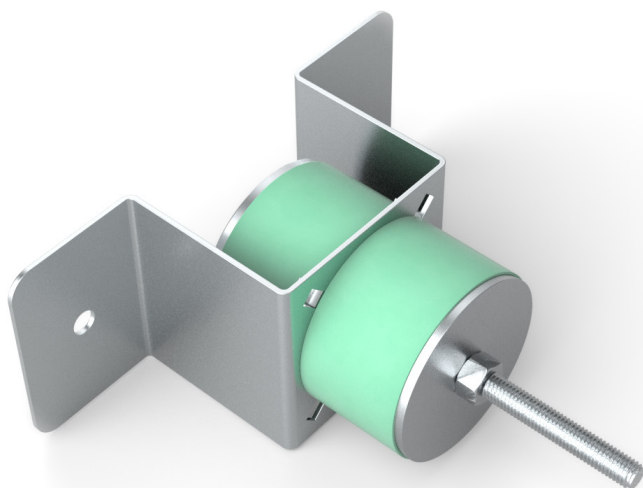
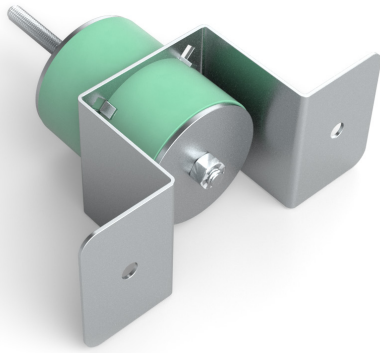


VT-WH

Acoustic Wall Suspension



Vibratec[®]
akustikprodukter



Description

VT-WH (Wall Hanger) is used to de-couple inner walls to prevent transmission of vibrations and structure born sound.

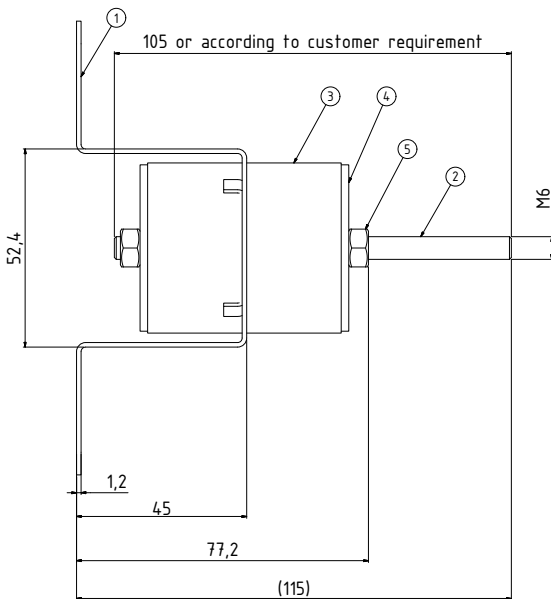
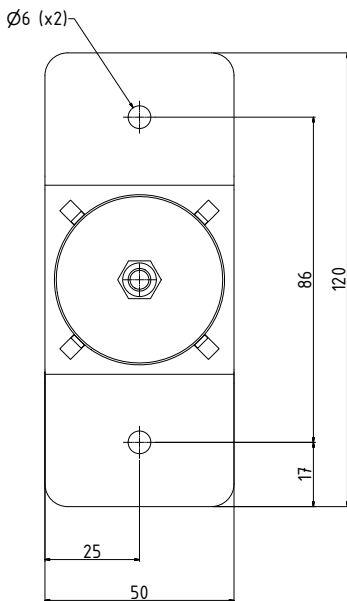
Installation

Use approximately 1 VT-AWS per 2 square metre wall.

1. Fasten the VT-WH element with a threaded rod (Not included in the shipment), the diameter of the hole is 6 mm.
3. Use self-tapping screws to fix into wall rail or stud.

The VT-WH may also be used as ceiling hanger. The upward elastic element then need to be replaced by a softer material.

Contact Vibrattec for support



Sweden
Tel: +46 176 20 78 80
e-mail: info@vibrattec.se

Norway
Tel: +47 33 07 07 50
e-mail: info@vibrattec.no

Denmark
Tel: +45 49 13 22 44
e-mail: info@vibrattec.dk

Estonia
Tel: +372 56 66 29 93
e-mail: info@vibrattec.ee