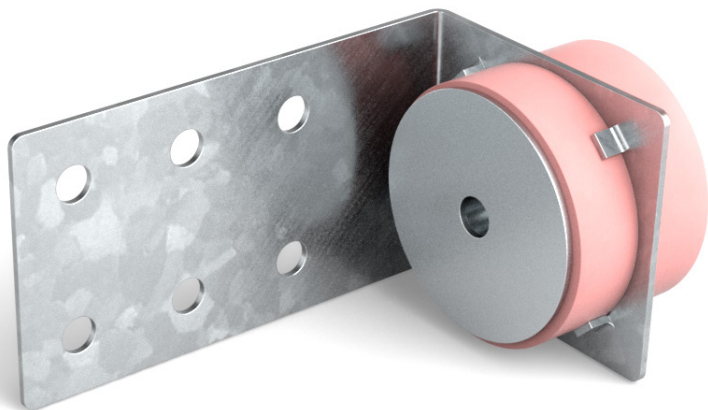
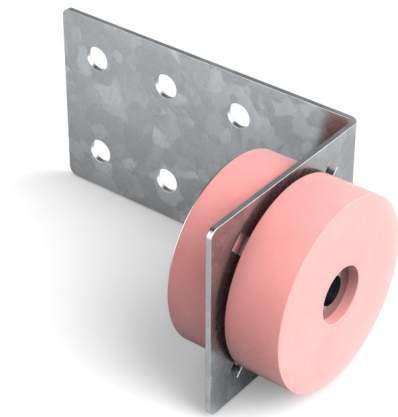


VT-AWS-L

Acoustic Wall Suspension



Vibratec[®]
akustikprodukter



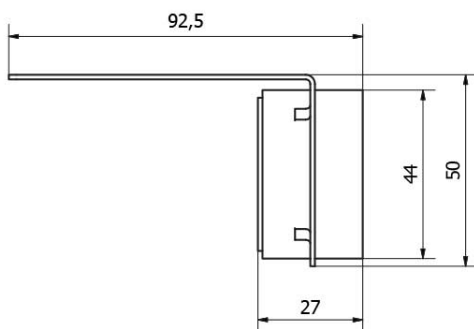
Description

VT-AWS (Acoustic Wall Suspension) is used to de-couple inner walls to prevent transmission of vibrations and structure born sound..

Installation

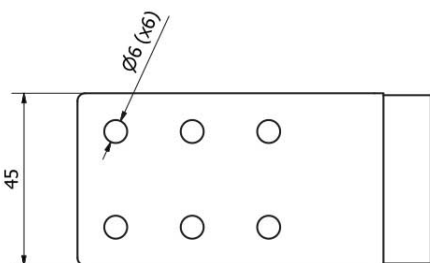
Use approximately 1 VT-AWS-L per 2 square metre wall.

1. Fasten the VT-AWS-L element with a screw through the centerhole, the diameter of the hole is 6 mm. Compress fixing until the cylindrical distance is in contact with existing wall.
2. Use self-tapping screws to fix into wall rail or stud.



The VT-AWS-L may also be used as ceiling hanger. The upward elastic element then needs to be replaced by a softer material.

Contact Vibrattec for support.



Sweden
Tel: +46 176 20 78 80
e-mail: info@vibrattec.se

Norway
Tel: +47 33 07 07 50
e-mail: info@vibrattec.no

Denmark
Tel: +45 49 13 22 44
e-mail: info@vibrattec.dk

Estonia
Tel: +372 56 66 29 93
e-mail: info@vibrattec.ee