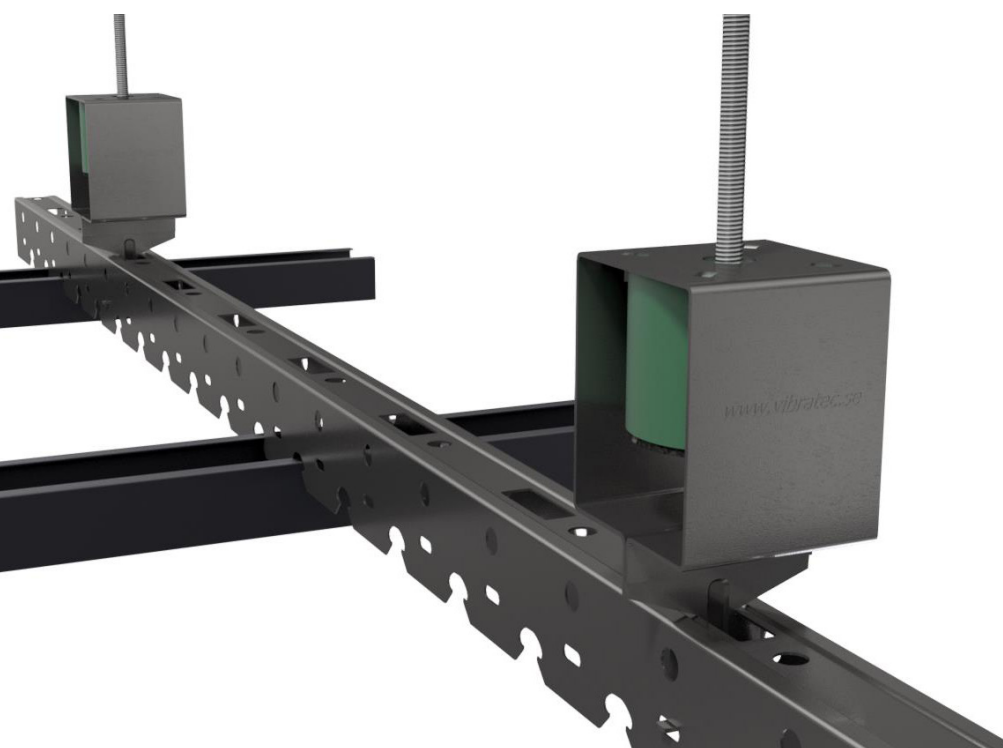
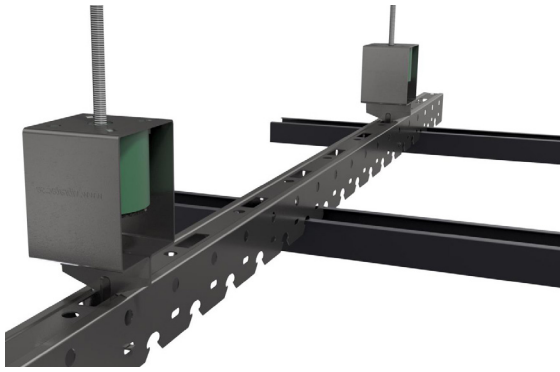


VT-CBC

CrossBar Ceiling System



Vibratec[®]
akustikprodukter



Description

The VT-CBC Crossbar Ceiling is a double frame ceiling system with click-on hangers and profiles designed to optimise the sound insulation of suspended ceilings. The system comprises of VT-CBC hangers, click-on crossbars (UD274007) and C-profile rails (CD5027). Depending on required resonance frequency the VT-CBC hangers can be delivered with Regufoam pads in thickness 25 mm, 37 mm or 50 mm.

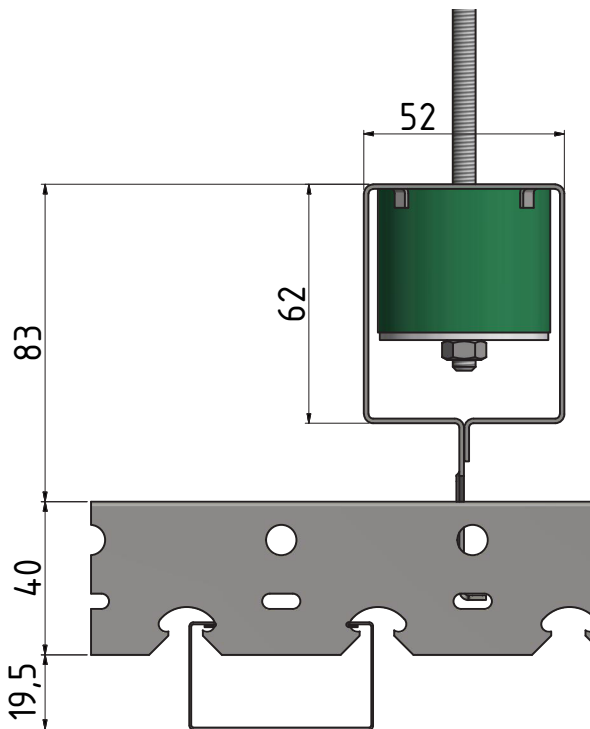
Installation Guidelines

The hangers are mechanically fixed via threaded rod to the ceiling with c/c-distances G and P and clicked into the crossbars. Secondary profiles with c/c-distance S are clicked onto the crossbars. Plasterboard can then be fixed on to the rails. A self adhesive elastic strip VC1001 should be used to isolate the suspended ceiling from surrounding walls to avoid acoustic bridging between ceiling and wall.

Mineral wool should be used in the air void to absorb possible standing waves in the void.

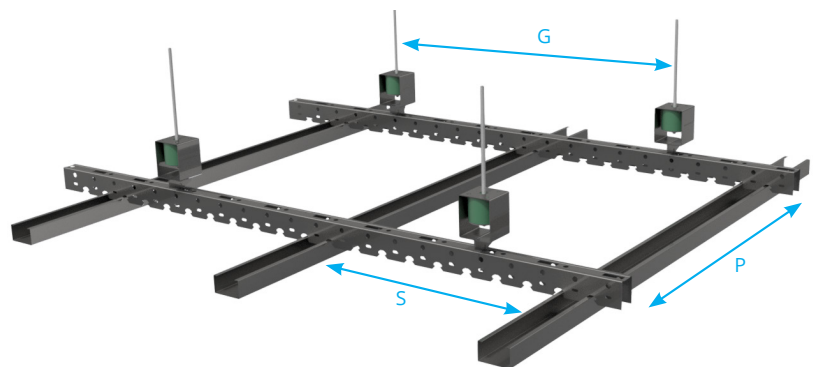
Characteristics

Type	Elastic part	fn	Deflection
VT-CBC-RF25	25 mm pad	9 - 11 Hz	1 - 2 mm
VT-CBC-RF37	37 mm pad	7 - 9 Hz	2 - 3 mm
VT-CBC-RF50	50 mm pad	6 - 7 Hz	4 - 5 mm



SUPPORTS DISTANCE			
Ceiling weight kg/m ²	P (mm)	G (mm)	kg/support
10 - 15	1200	900	11 - 14
15 - 30	1000	750	11 - 22
30 - 50	750	600	13 - 22
50 - 75	600	600	18 - 27

Spacing S should not exceed 400 mm at longitudinal installation and 500 mm at transversal installation



Sweden
Tel: +46 176 20 78 80
e-mail: info@vibratec.se

Norway
Tel: +47 33 07 07 50
e-mail: info@vibratec.no

Denmark
Tel: +45 49 13 22 44
e-mail: info@vibratec.dk

Estonia
Tel: +372 56 66 29 93
e-mail: info@vibratec.ee