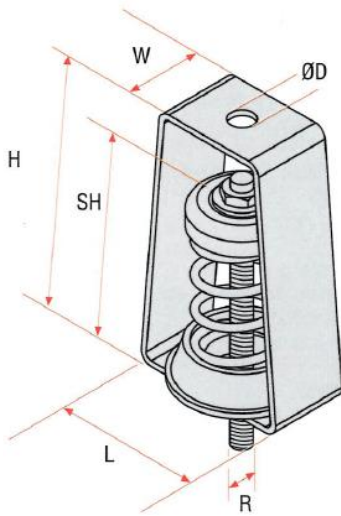


VT-RSH

Spring Hanger



Vibratec[®]
akustikprodukter



Description

VT-RSH is a serie of Spring Hangers with colour coded steel springs isolated from the housing by a neoprene cup (to ensure isolation of possible coil resonances).

Characteristics

Deflection: 15-25 mm under static load.

Resonance frequency: 3,5 Hz

Ratio between lateral and axial stiffness is approx. 1 to ensure stability.

The threaded rod can swing 30° before coming in contact with neoprene cup.

Applications

For elastic pendulum suspension of piping, mechanical equipment, fans, air ducts, loud speakers and inner ceilings. The spring acts like an effective vibration isolator giving maximum attenuation of structure born sound.

Hanger Code	Max Load (N)	k (N/mm)	Spring Color	R	H (mm)	SH (mm)	L (mm)	W (mm)	ØD (mm)
VT-RSH-100	100	4	ORANGE	M10	133	90	72	40	13
VT-RSH-250	250	10	YELLOW	M10	133	90	72	40	13
VT-RSH-500	500	20	BLUE	M10	133	90	72	40	13
VT-RSH-1000	1000	40	RED	M10	133	90	72	40	13
VT-RSH-1500	1500	60	GREEN	M10	133	90	72	40	13
VT-RSH-2000	2000	80	ORANGE	M12	182	113	140	50	13
VT-RSH-3000	3000	120	BLACK	M12	182	113	140	50	13
VT-RSH-4000	4000	160	GRAY	M16	215	132	176	50	18
VT-RSH-5000	5000	200	ORANGE	M16	215	132	176	50	18
VT-RSH-6000	6000	240	WHITE	M16	215	132	176	50	18
VT-RSH-7000	7000	280	YELLOW	M16	215	132	176	50	18
VT-RSH-8000	8000	320	GREEN	M16	215	132	176	50	18
VT-RSH-10000	10000	400	RED	M16	215	132	176	50	18
VT-RSH-12000	12000	480	BLACK	M16	215	132	176	50	18
VT-RSH-13000	13000	520	BLACK	M16	215	132	176	50	18

Sweden
Tel: +46 176 20 78 80
e-mail: info@vibratec.se

Norway
Tel: +47 33 07 07 50
e-mail: info@vibratec.no

Denmark
Tel: +45 49 13 22 44
e-mail: info@vibratec.dk

Estonia
Tel: +372 56 66 29 93
e-mail: info@vibratec.ee