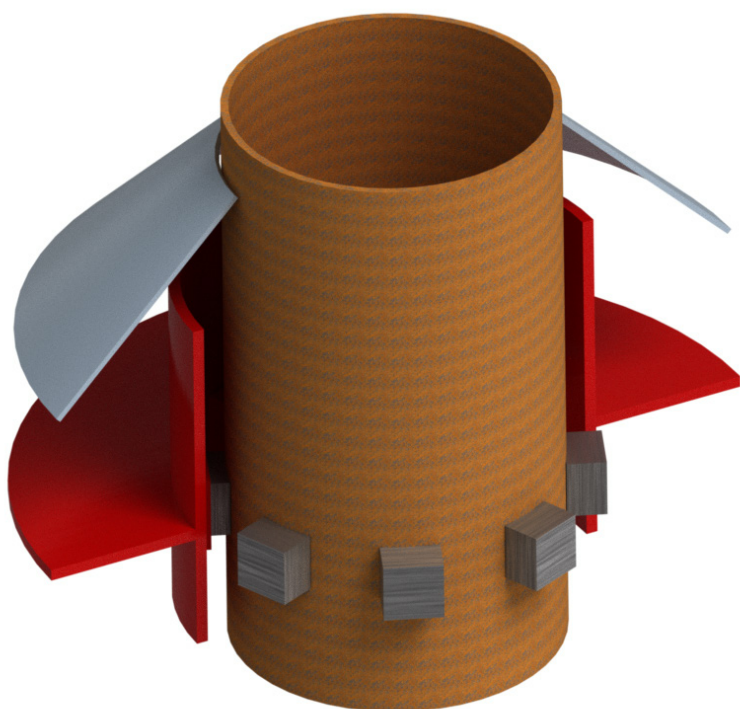
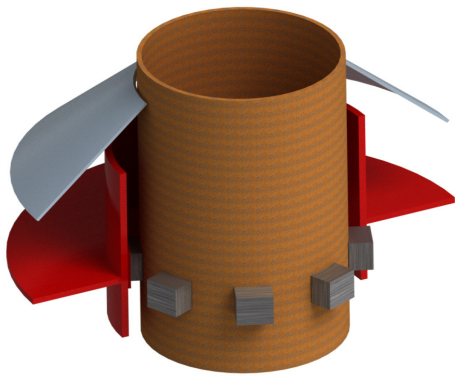


VT-FTPC

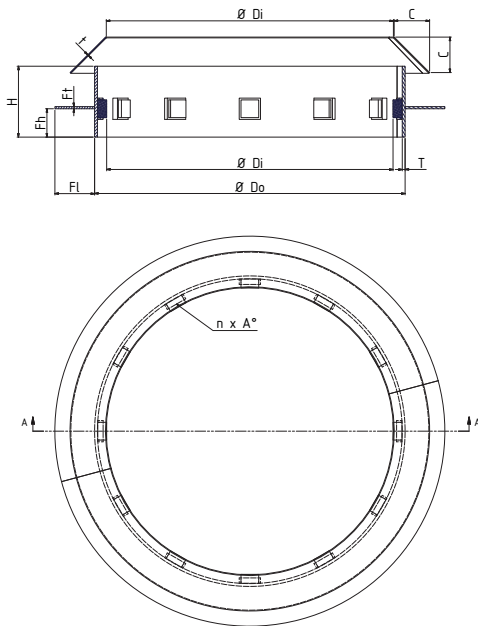
Funnel Top Penetration



Vibratec[®]
akustikprodukter



Section: A-A



Description

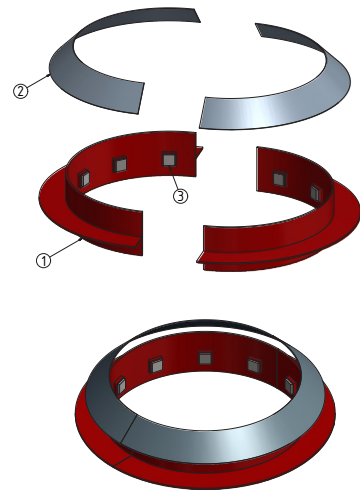
All metal pipe clamp with resilient elements made of stainless steel 18/8. Ring and base plate made of construction steel.

Protection: primer.

It is also equipped with a rain cap, preventing rain to get inside the pipe. The rain cap is in AISI 316L.

See table for dimensions, other sizes available on request.

Delivered in two halves and welded on site, this to ease the installation.



Pipe size ØDN	Cushion type	n x A°	Ø Di (+/-2)	Ø Do (+/-2)	H	T	t	C (+/-5)	Fl	Fh	Ft
100 (115,3)	VT1130	6 x 60°	116	168	180	6	3	100	80	60	6
125 (139,7)	VT1130	6 x 60°	140	192	180	6	3	100	80	60	6
150 (168,3)	VT1130	8 x 45°	169	221	180	6	3	100	80	60	6
175 (193,7)	VT1130	8 x 45°	194	246	180	6	3	100	80	60	6
200 (219,1)	VT1110	6 x 60°	220	286	200	8	3	100	80	80	6
250 (273,0)	VT1110	6 x 60°	273	339	200	8	3	100	80	80	6
300 (323,9)	VT1110	8 x 45°	324	390	200	8	3	100	80	80	6
350 (355,6)	VT1110	8 x 45°	356	422	200	8	3	100	80	80	6
400 (406,4)	VT1110	8 x 45°	407	473	200	8	3	100	80	80	6
450 (457,0)	VT1110	10 x 36°	457	523	200	8	3	100	80	80	6
500 (508,0)	VT1110	10 x 36°	508	574	200	8	3	100	80	80	6
600 (610,0)	VT1110	10 x 36°	610	676	200	8	3	100	80	80	6
700 (711,0)	VT1110	12 x 30°	711	777	200	8	3	100	80	80	6
800 (813,0)	VT1110	12 x 30°	813	879	200	8	3	100	80	80	6
900 (914,0)	VT1110	16 x 22,5°	914	980	200	8	3	100	80	80	6

Sweden
Tel: +46 176 20 78 80
e-mail: info@vibratec.se

Norway
Tel: +47 33 07 07 50
e-mail: info@vibratec.no

Denmark
Tel: +45 49 13 22 44
e-mail: info@vibratec.dk

Estonia
Tel: +372 56 66 29 93
e-mail: info@vibratec.ee