



Complete PIPE CLAMP

Description

All metal pipe clamp with resilient elements made of stainless steel 18/8. Ring and base plate made of construction steel.

Protection: primer.

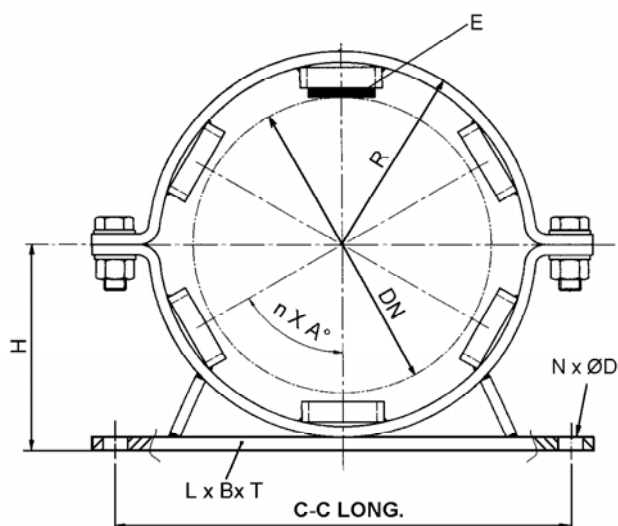
Characteristics

A very rigid construction that allows quick mounting/dismounting of the pipes.

The resilient elements are non-creeping, are unaffected by oils, grease or corrosive agents or extremes of temperature. If required, it is possible to have the cushions produced in higher quality stainless steel or in other special metals.

Applications

Resilient mounting for all kinds of pipes. Provides elastic stabilisation of vertical pipes whilst eliminating the tension forces caused by thermal expansion of the pipe. The dimensions of the clamp are shown in table below.



Note

The cushions can be ordered separately, see data sheets for VT 1110-1130, VT 1120-1140

DN	R	n x A	E	H	L x B x T	N x ØD	C-C Hole distance	
							LONG.	ACROSS
100 (Ø114,3)	77	6 x 60°	VT1130	95	254x70x10	2 x 18	220	-
125 (Ø139,7)	90	6 x 60°	VT1130	108	280x70x10	2 x 18	246	-
150 (Ø168,3)	104	8 x 45°	VT1130	122	308x70x10	2 x 18	274	-
175 (Ø193,7)	117	8 x 45°	VT1130	135	334x70x10	2 x 18	300	-
200 (Ø219,1)	135	6 x 60°	VT1110	153	370x90x10	2 x 18	336	-
250 (Ø273,0)	162	6 x 60°	VT1110	180	424x90x10	2 x 18	390	-
300 (Ø323,9)	187	8 x 45°	VT1110	209	488x100x12	2 x 22	450	-
350 (Ø355,6)	203	8 x 45°	VT1110	225	520x100x12	2 x 22	482	-
400 (Ø406,4)	228	8 x 45°	VT1110	325	486x150x10	4 x 23	406	110
450 (Ø457,0)	254	10 x 36°	VT1110	345	517x150x10	4 x 23	437	110
500 (Ø508)	279	10 x 36°	VT1110	366	548x150x10	4 x 23	468	110
600 (Ø610)	330	10 x 36°	VT1110	407	609x150x10	4 x 23	529	110
700 (Ø711)	380	12 x 30°	VT1110	447	670x150x10	4 x 23	590	110
800 (Ø813)	431	12 x 30°	VT1110	492	720x150x10	4 x 23	640	110
900 (Ø914)	482	16 x 22,5°	VT1110	551	810x150x10	4 x 23	730	110

Norway

P.O. Box 765, N-3196 Horten, Norway
Tel: +47 33 07 07 50 Fax: +47 33 07 00 68
e-mail: apn@apn.no

Sweden

Norrsvund 1859, S-760 17 BLIDÖ, Sweden
Tel: +46 176 20 78 80 Fax: +46 176 20 78 99
e-mail: info@vibratec.se

Norway

P.O. Box 765, N-3196 Horten, Norway
Tel: +47 33 07 07 50 Fax: +47 33 07 00 68
e-mail: apn@apn.no

Sweden

Norrsund 1859, S-760 17 BLIDÖ, Sweden
Tel: +46 176 20 78 80 Fax: +46 176 20 78 99
e-mail: info@vibratec.se