



ALL METAL isolator

Description

All metal mounts . High tensile steel springs. Resilient cushions in 18/8 stainless steel wire. Other parts in steel.

Surface protection: anodic treatment.
Weight: 0,55 kg.

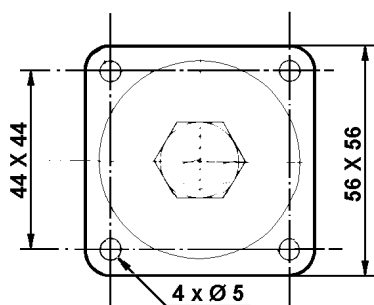
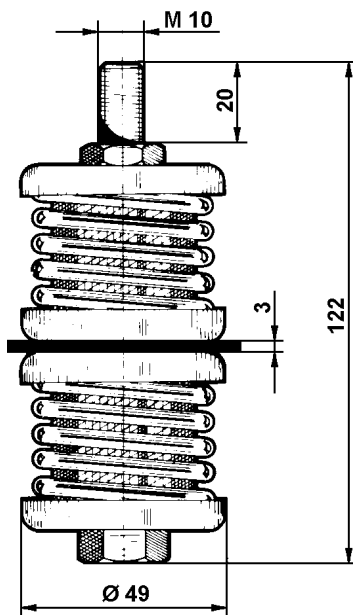
Characteristics

A series of low frequency isolators with a natural frequency of 7-10 Hz within a wide load range. May be loaded in tension or compression.

Maximum excitation amplitude: ± 1 mm.
Mechanical overload factor: 3 g.

Magnification factor (Q): < 5 .
Temperature range: -90°C to $+300^{\circ}\text{C}$.

Ref.	Load range in daN (\approx kg)
VT4570-1	10-15
VT4570-2	15-25
VT4570-3	25-50



Application

Stabilisation and protection of fragile equipment.
Suspension of light exhaust systems on vehicles and vessels.

Note

For higher loads, refer to models:

V 403 = 60 - 120 daN
V 404 = 100 - 200 daN
V 405 = 160 - 320 daN
V 406 = 270 - 500 daN