

VTCI-3500F

All Metal Isolator



Vibratec[®]
akustikprodukter



Description

Resilient elements made of 18/8 stainless steel wire, stud in aluminium, casing and flange in steel.

Protection:

Paint

Weight:

4,0 kg.

Characteristics

Isolator with equipfrequency character; 15-20 Hz for the recommended load range. May work under compression or tension.

Load range: 1500 – 3500 kg

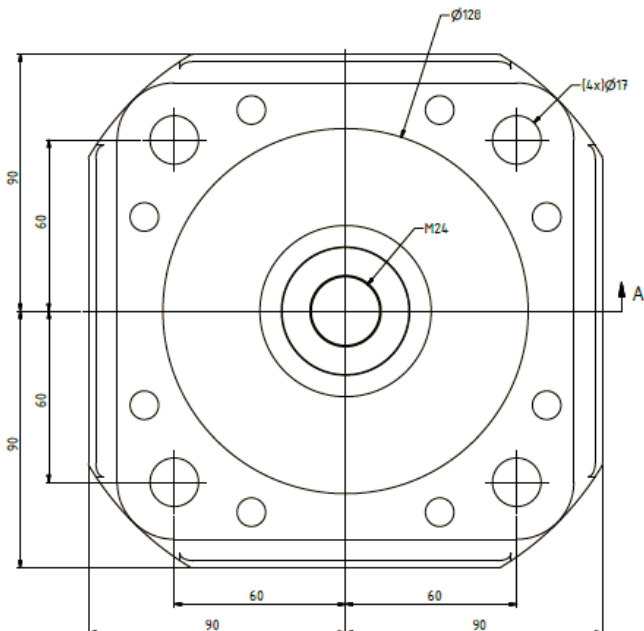
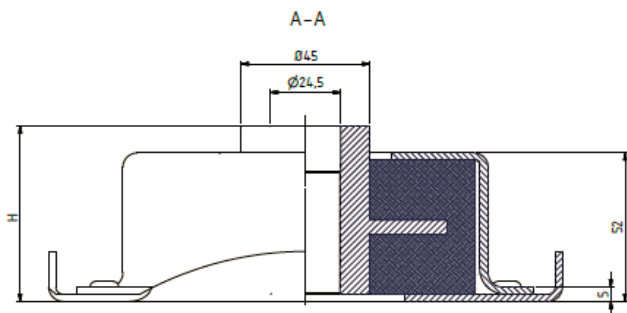
Unloaded height (H): 66 mm

Maximum excitation amplitude: $\pm 0,3$ mm.

Amplification factor: < 6 .

Temperature range: -90 °C to $+600$ °C.

Maximum load corresponding to a continuous acceleration of 2 g.



Applications

Suspension of machine tools in general, especially crushing machines, grinding mills.

Elastic suspension of exhaust pipes, motors, pumps etc. on ships and vehicles.

For rotating machines operating above 30 Hz.

Notes

For larger loads, refer to isolator V318.

This is the old V5654

Sweden
Tel: +46 176 20 78 80
e-mail: info@vibratec.se

Norway
Tel: +47 33 07 07 50
e-mail: info@vibratec.no

Denmark
Tel: +45 49 13 22 44
e-mail: info@vibratec.dk

Estonia
Tel: +372 56 66 29 93
e-mail: info@vibratec.ee