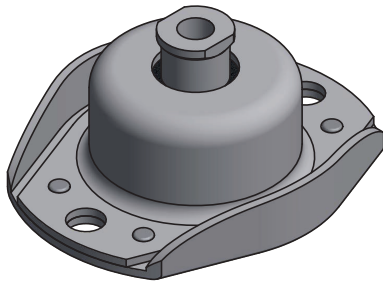
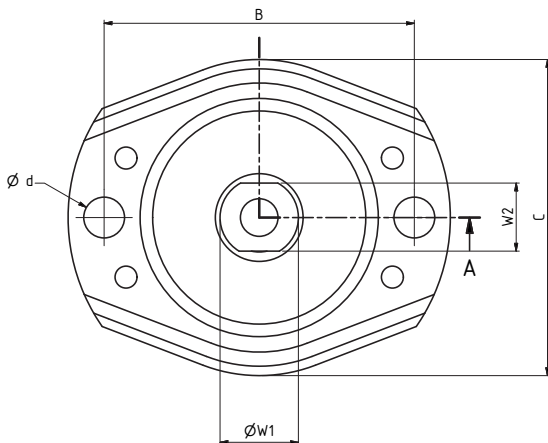
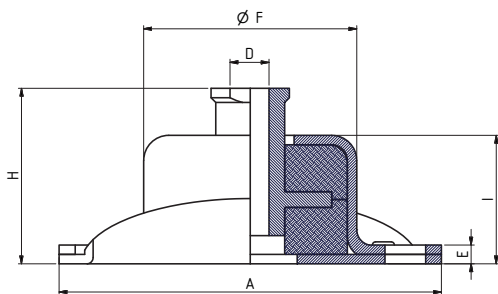


VTCI-300F VTCI-700F



Section A-A



ELASTIC MOUNT

Description

Resilient elements made of 18/8 stainless steel wire, center mounting pin, casing and flange in steel.

Protection: Ceramic Coating KTL

Weight: VT300F: 0,8 kg
VT700F: 0,8 kg

Options: The resilient element and center mounting pin can be supplied in AISI316.

Characteristics

A progressive tension/compression isolator with resonance frequency 15-20 Hz through the load range.

Maximum excitation amplitude: ± 0,3 mm

Amplification factor: < 6

Temperature range: -90 °C to +600 °C

Maximum dynamic overload: 2 g

Load Range (daN)	
VTCI-300F	100 - 300
VTCI-700F	200 - 700

Applications

Suspension of machine tools in general, especially crushing machines, grinding mills.

Elastic suspension of exhaust pipes, engines, pumps, compressors on ships and in vehicles.

All reciprocating machinery operating above 30 Hz.

Notes

For larger loads, use isolators VTCI-1500F , V5654, V318.

	A	B	C	D	E	F	H	I	W1	W2	d
VTCI-300F	121	99	100	M12	6	70	56	40.5	25	22	13
VTCI-700F											

Sweden
Tel: +46 176 20 78 80
e-mail: info@vibratec.se

Norway
Tel: +47 33 07 07 50
e-mail: info@vibratec.no

Denmark
Tel: +45 49 13 22 44
e-mail: info@vibratec.dk

Estonia
Tel: +372 56 66 29 93
e-mail: info@vibratec.ee