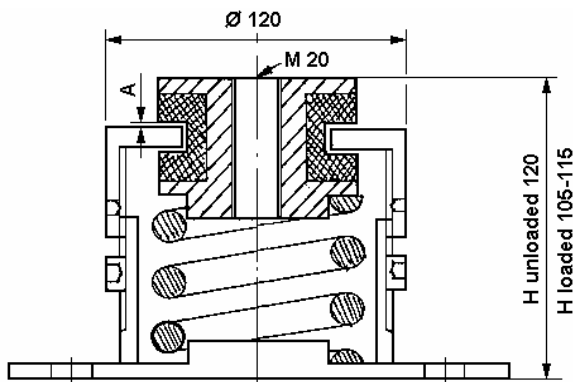
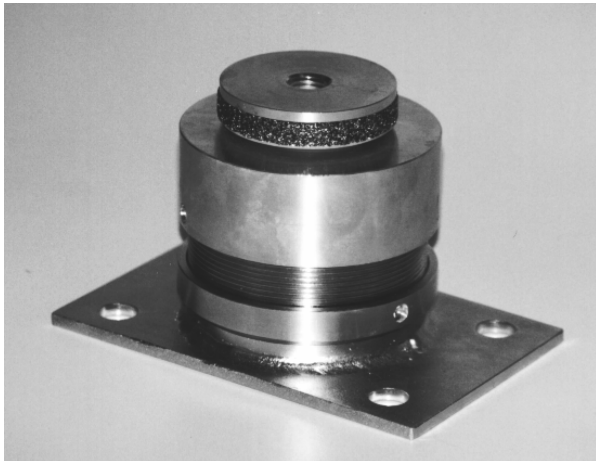
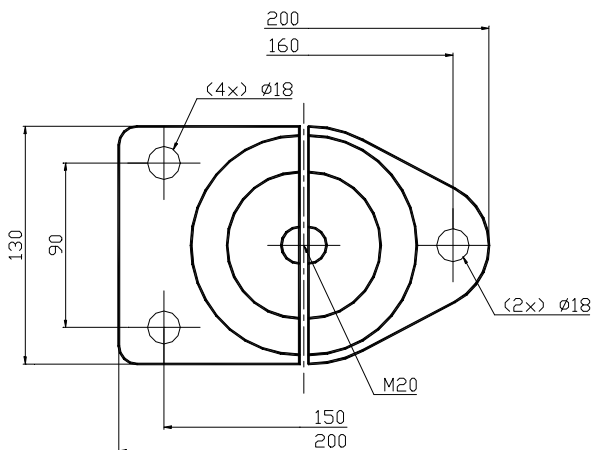


VT4103 – VT4128



Baseplate can be delivered in oval or rectangle shape, se fig below.



ALL METAL ISOLATOR

Description

Resilient elements: Spring in high tensile steel, cushions in 18/8 stainless steel. Housing in zinc plated steel.

Characteristics

A very soft isolator with integrated adjustable snubbing. Designed especially for suspension of mobile equipment.

Natural frequency: 5 - 9 Hz.

Mechanical strength: 5 g.

Temperature range: -90°C - +300°C.

Ref.	Load range daN (kg)	Damping	Amplification (Q)
VT4103	150 - 350	Undamped	8 - 12
VT4105	250 - 500	Undamped	8 - 12
VT4108	300 - 800	Undamped	8 - 12
VT4113	150 - 350	Low damping	6 - 10
VT4115	250 - 500	Low damping	6 - 10
VT4118	300 - 800	Low damping	6 - 10
VT4123	150 - 350	High damping	3 - 5
VT4125	250 - 500	High damping	3 - 5
VT4128	300 - 800	High damping	3 - 5

Applications

Suspension of propulsion engines, generating sets, compressors, deck houses etc.

Installation

The built in snubbers must be adjusted when the suspended equipment has its working condition. The adjustment is done by turning the upper part of the housing until a distance (A) of 2 mm is reached between the house and the snubbing cushions.

The height (H) of the mount should be between 105 - 115 mm, depending on the load.

With correctly adjusted snubbers the maximum movement will be ± 4 mm in all directions.