

VT345P

All Metal Pendulum Mount



Vibratec[®]
akustikprodukter



Description

Double acting all metal pendulum mount. Resilient element, cushion in stainless steel wire.

Other parts in painted mild steel.

Characteristics

Mounts with very low natural frequency, 15-20 Hz.

Accepts both static and dynamic tension forces.

Maximum excitation: $\pm 0,3$ mm.

Amplification factor: < 8 .

Temperature range: -90°C to $+600^{\circ}\text{C}$

Load range in daN (\approx kg): 100 – 800

Applications

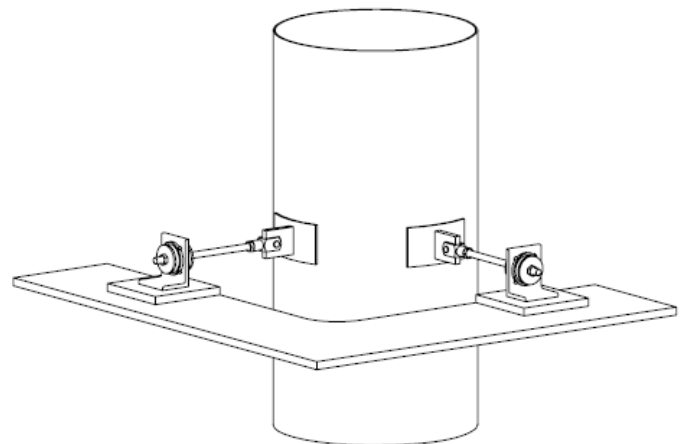
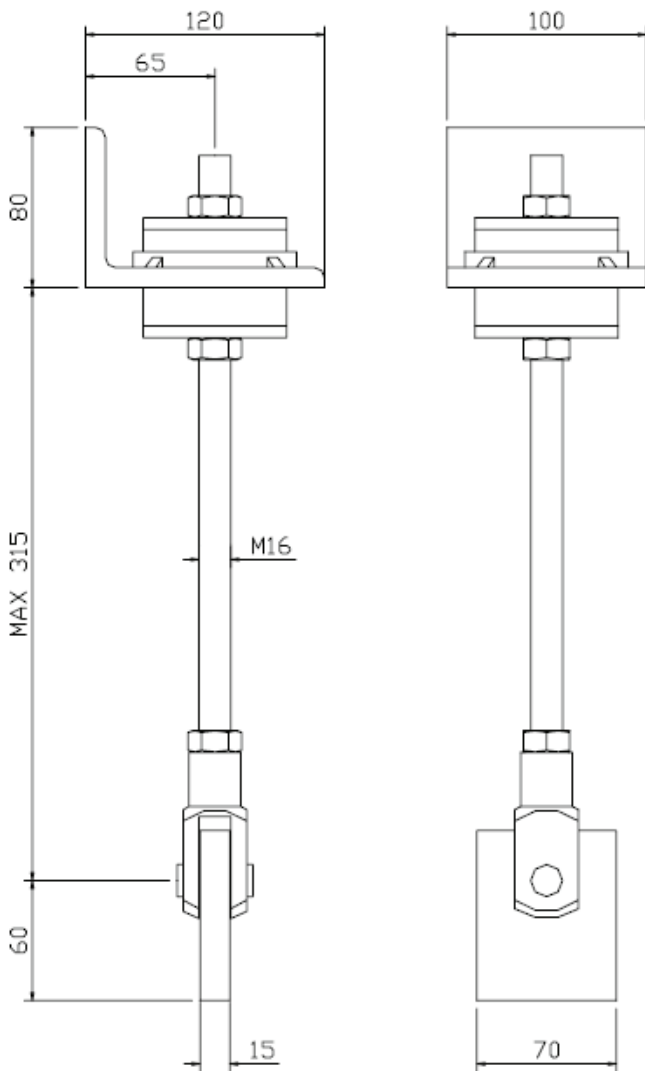
Isolation of exhaust-, air- and steam-pipes.

Stabilisation of frames and equipment on vessels, vehicles etc.

Notes

The total length of the extension rod is 330 mm.

Of course a longer rod can be used, but there is a risk of breaking during compression loads.



Exampel of stabilisation of exhaust pipe in casing.

Sweden
Tel: +46 176 20 78 80
e-mail: info@vibratec.se

Norway
Tel: +47 33 07 07 50
e-mail: info@vibratec.no

Denmark
Tel: +45 49 13 22 44
e-mail: info@vibratec.dk

Estonia
Tel: +372 56 66 29 93
e-mail: info@vibratec.ee