

VT281P-VT283P

METAL isolator

Description

Double acting all metal pendulum mount. Resilient element, cushion in stainless steel wire.
Other parts in painted mild steel.

Characteristics

Mounts with low natural frequency, 15-20 Hz.
Accepts both static and dynamic tension forces.
Maximum excitation: $\pm 0,3$ mm.
Amplification factor: < 4 .
Temperature range: -90°C to $+300^{\circ}\text{C}$

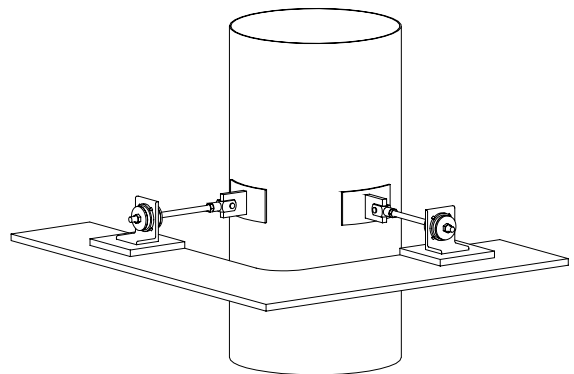
Ref.	Load range in daN (\approx kg)
VT281P	1000 - 3000
VT283P	2000 - 7000

Applications

Isolation of exhaust-, air- and steam-pipes.
Stabilisation of frames and equipment on vessels, vehicles etc.

Note

The total length of the extension rod is 330 mm for VT281P and 500 mm for VT283P. Of course a longer rod can be used, but there is a risk of breaking during compression loads.



Exampel of stabilisation of exhaust pipe in casing.