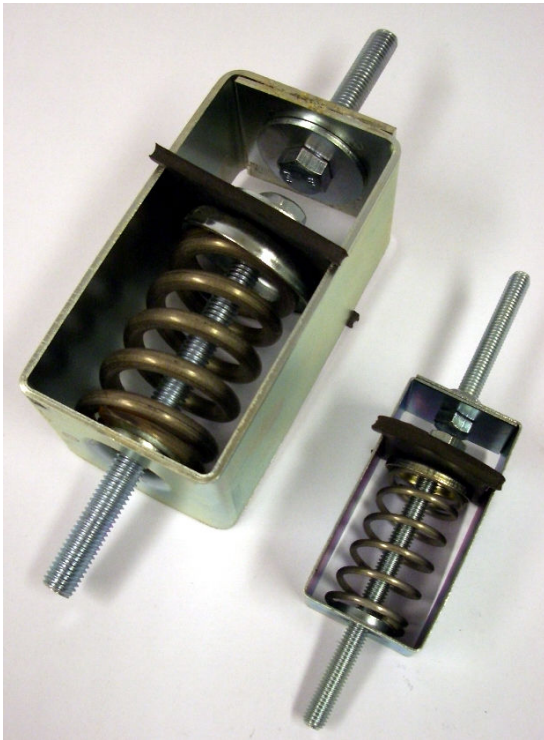


VE-111 - VE-112



METAL isolator

Description

Housing in zinc-plated steel, spring (and cushion for VE-112) in high tensile stainless steel. Guiding bracket in neoprene. Zinc-plated fastening details.

Characteristics

A series of low-frequency isolators, working in tension only.

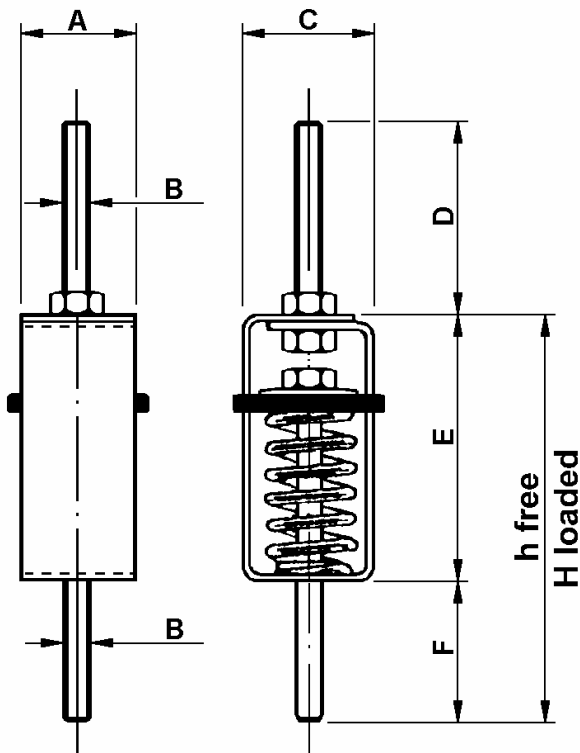
Natural frequency: 3-6 Hz

Maximum excitation amplitude: $\pm 0,3$ mm.

Amplification factor: < 10.

Temperature range: -30 °C to +100 °C.

Suffix.	Load range in daN (\approx kg)	
	VE-111	VE-112
-01	1 - 5	25 - 70
-02	4 - 13	45 - 130
-03	7 - 20	85 - 230
-04	12 - 33	-
-05	19 - 43	-



Ref.	A	B	C	D	E	F	h	H
VE-111	35	M8	40	58	80	42	122	129 - 150
VE-112	60	M12	72	61	140	57	197	204 - 217

Applications

Suspension of pipework, smaller fans, air conditioning units, etc.