

VE-101



ALL METAL isolator

Description

Housing in zinc-plated steel, spring in high tensile stainless steel.
Guiding bracket in neoprene.
Zinc-plated fastening details.

Characteristics

A series of low-frequency isolators, working in tension only.

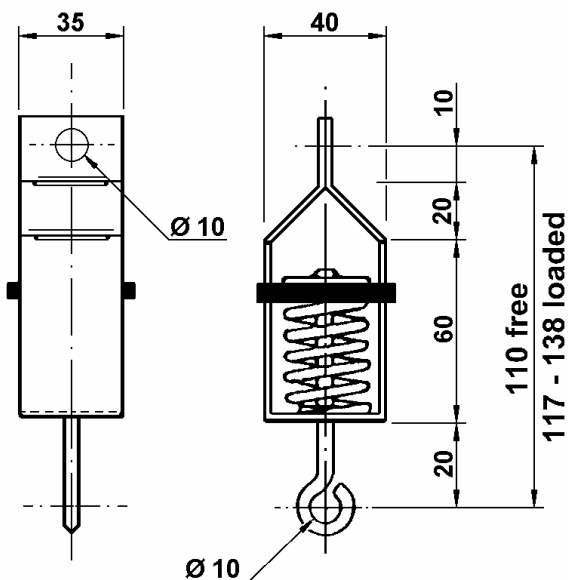
Natural frequency: 3-6 Hz

Maximum excitation amplitude: $\pm 0,3$ mm.

Amplification factor: < 10 .

Temperature range: -30 °C to $+100$ °C.

Ref.	Load range in daN (\approx kg)
VE-101-01	1 - 4
VE-101-02	4 - 13
VE-101-03	7 - 20
VE-101-04	12 - 33
VE-101-05	19 - 43



Applications

Suspension of pipework, smaller fans, air conditioning units, etc.