

PC 100 - 182



ISOLATOR

Description

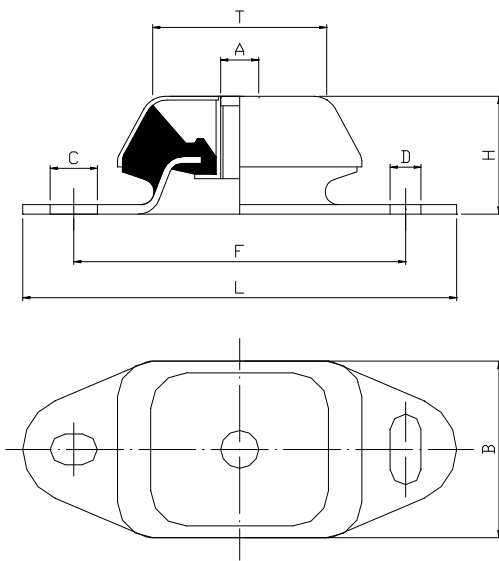
Resilient elements in natural rubber or neoprene in shorer hardness 45, 55 alt. 65 shore. Metal parts in chromated steel. Fitted with a mechanical stop.

Characteristics

A series of isolators with natural frequency 9 -15 Hz for the recommended load range.

Dynamic factor: ca. 1,3 - 2.

Ref.	Max load in daN (≈kg)			Weight (kg)
	45 Sh	55 Sh	65 Sh	
PC 100	50	70	100	0,3
PC 140	175	200	350	0,85
PC 182	500	625	1000	2,15



Dimensions

Ref.	L	B	H	T	F	C	D	A
PC 100	120	60	38	60	100	11 x 14	11 x 14	M12
PC 140	183	75	50	75	140	20 x 13	13 x 30	M16
PC 182	230	112	70	80	182	26 x 18	18 x 34	M20

Applications

Elastic suspension of compressors, motors, pumps, fans etc. on board ships and vehicles.

Stiffnes in in the horizontal plane		
Ref.	kL	kB
PC 100	2,5 x kV	0,75 x kV
PC 140	2,7 x kV	0,70 x kV
PC 182	2,6 x kV	0,85 x kV

kV = Stiffness vertically

kL = Stiffness along the isolator

kB = Stiffness across the isolator

