



### OXIDATION PURIFIERS

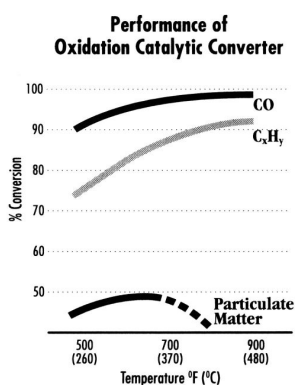
The Solution for a cleaner working environment

MINE-X® oxidation purifiers eliminate dangerous carbon monoxide (CO), hydrocarbons (HC), odor and particulates from diesel fueled engines. By using the most advanced catalyst formulations, MINE-X oxidation purifiers are able to eliminate dangerous engine emissions even at low exhaust temperatures.

#### Conversion Efficiency, Quality and Service

- ▶ Reduce CO by up to 95%
- ▶ Reduce HC by up to 90%
- ▶ Reduce particulates by up to 45%
- ▶ Lowest back-pressure in the market
- ▶ Stainless steel construction
- ▶ Standard or custom designs
- ▶ Easy to install
- ▶ Honeycomb is brazed, not pinned
- ▶ Virtually maintenance free
- ▶ Rapid delivery
- ▶ Cost effective

MINE-X® oxidation purifiers install directly in the exhaust gas stream between the exhaust manifold and silencer and are available in two designs. The first features two quick release clamps, which enable removal of the purifier center body for easy inspection or replacement. The second design is allwelded and has a fixed purifier center body. The oxidation purifiers are ideal for large diesel applications, where space in the exhaust system is unrestricted.



It is important that the engine exhaust reaches a temperature of at least 200°C. MINE-X purifiers will operate under a variety of load and speed conditions but will not compensate for a poorly tuned engine. Engine malfunctions such as defective injectors or high lubricating oil consumption can result in loss of purifier efficiency. A new engine should run for some hours before installation of purifier.

Each MINE-X® oxidation purifier contains a patented stainless steel honeycomb, which is brazed to its stainless steel shell through a proprietary vacuum brazing process. This unique brazing process eliminates the possibility of the honeycomb loosening, cracking or telescoping inside the purifier.



DCL is world leader in emission control technologies. Besides oxidation catalysts, the MINE-X product line comprises three-way catalysts, soot filters and mufflers.

For people who work underground, carbon monoxide, hydrocarbons and particulate matter pose serious health risks. MINE-X purifiers clean dangerous exhausts, keeping employees safe and productive.

Vibratec Akustikprodukter designs and supplies complete exhaust systems to diesel-engined service locomotives and trolleys, ordered by the Norwegian State Railways (Jernbaneverket). The photo to the right shows a diesel-engined trolley with a Deutz V-engine supplied with two separate exhaust systems, each comprising expansion joint, MINE-X Oxidation Purifier, exhaust silencer, piping, as well as vibration isolators, just ready for emission measuring control.



Sweden  
Tel: +46 176 20 78 80  
e-mail: [info@vibratec.se](mailto:info@vibratec.se)

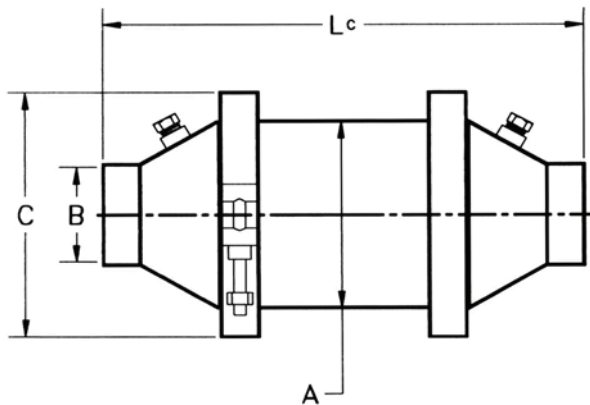
Norway  
Tel: +47 33 07 07 50  
e-mail: [info@vibratec.no](mailto:info@vibratec.no)

Denmark  
Tel: +45 49 13 22 44  
e-mail: [info@vibratec.dk](mailto:info@vibratec.dk)

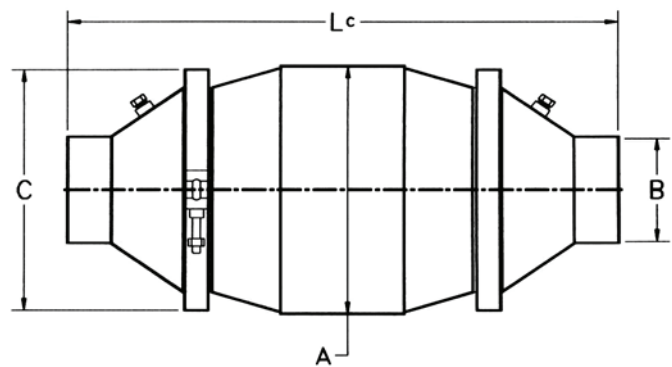
Estonia  
Tel: +372 56 66 29 93  
e-mail: [info@vibratec.ee](mailto:info@vibratec.ee)

MINE-X<sup>®</sup> OXIDATION PURIFIER DIMENSIONS

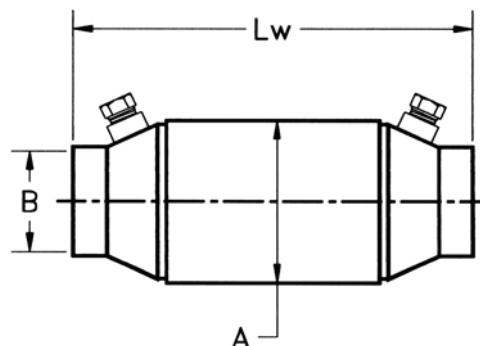
Model	DC2	DC3	DC4	DC5	DC6	DC7	DC8	DC10	DC12	DC14	DC16	DC18
Max Engine Power - HP (kW)	9 (7)	16 (12)	32 (24)	50 (40)	84 (63)	123 (92)	168 (125)	248 (185)	363 (271)	456 (340)	733 (547)	1114 (831)
Max Exhaust Gas Flow - m3/h	90	160	330	540	856	1250	1700	2500	3700	4700	7500	11400
Approx. Weight - DP - Kg	0,2	0,4	0,8	1,2	1,8	2,6	3,1					
Approx. Weight - DQ - Kg			1,6	2,2	3,0	3,8	4,7	6,3	7,7	8,7	12,8	n/a
A - diameter - mm	42	62	79	102	127	152	178	216	257	292	368	n/a
Lw - length - mm	165	152	184	234	244	264	305					
LC - length - mm			203	244	254	276	314	445	445	478	546	n/a
C - clamp diameter - mm			107	133	159	184	210	210	210	210	210	n/a
B - exhaust pipe outside diameter	CUSTOMER SPECIFIED											



MINE-X<sup>®</sup> Clamped Design  
DC5 to DC8



MINE-X<sup>®</sup> Clamped Design  
DC10 to DC18



MINE-X<sup>®</sup> Welded Design