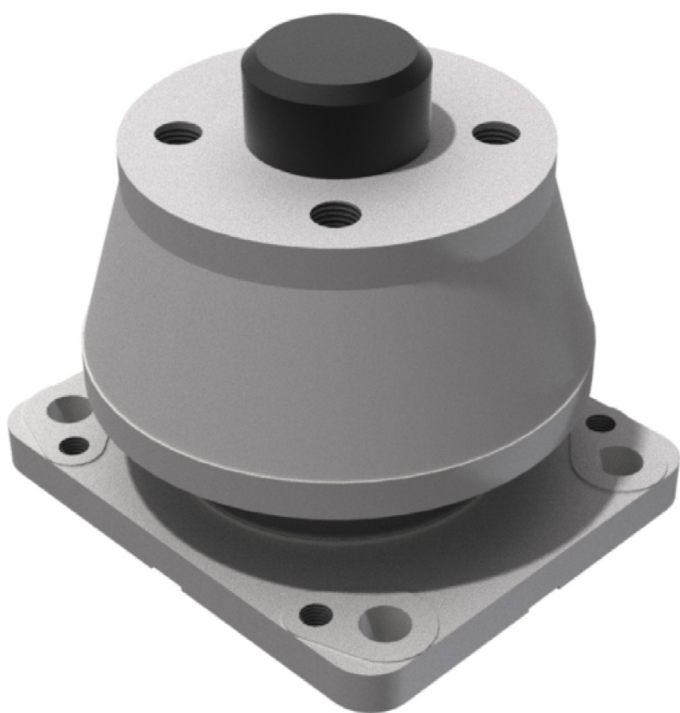
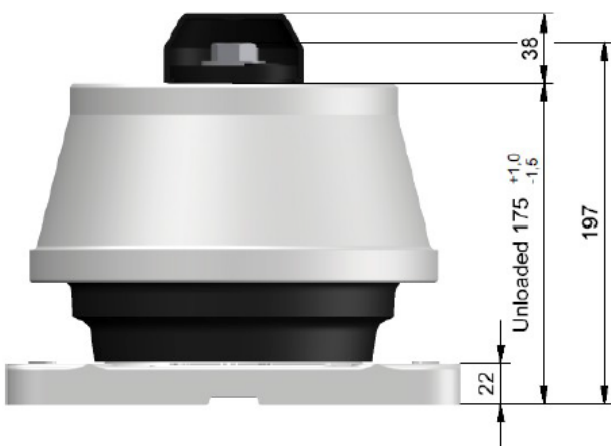
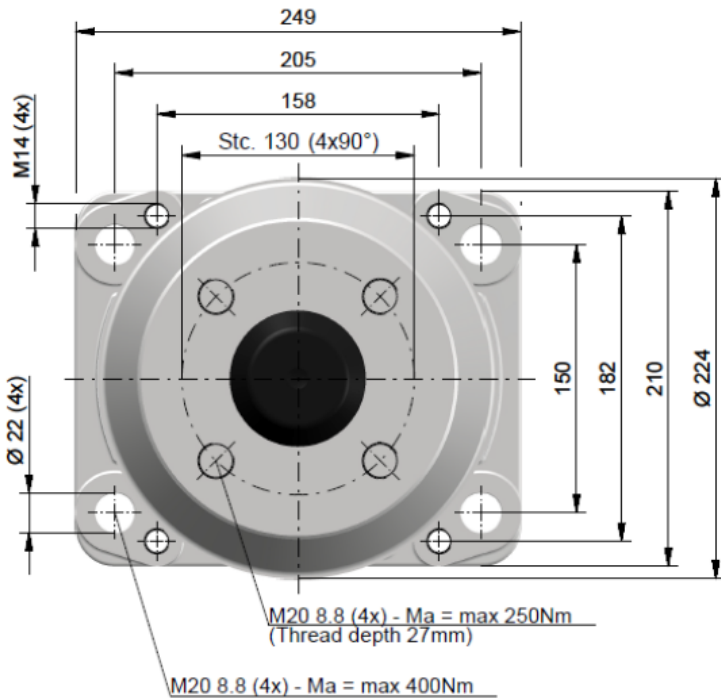
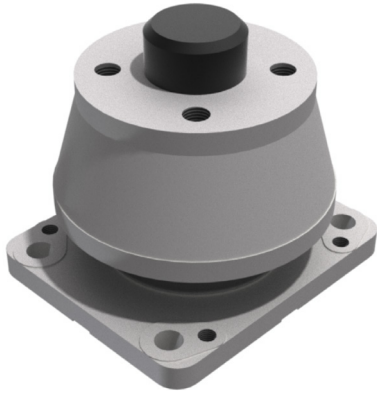


# HD Marine

Rubber Isolator



*Vibratec*<sup>®</sup>  
akustikprodukter



## Description

Low frequency rubber vibration isolator designed for use under propulsion engines and other marine applications.

## Characteristics

Material: Natural Rubber

Natural frequency: 8-12 Hz.

The Amplification factor: 3-4

Max Shockload: 150 kN (All Directions)

## Applications

Suspension of propulsion engines, auxiliary engines, deck houses, compressors.

## Load Range

Rubber Hardness (Sh)	Max Marine Load (kN)	Max Static Load (kN)
45 Sh	54	60
50 Sh	57	67
55 Sh	64	75
60 Sh	71	85
65 Sh	83	100
70 Sh	95	115

Direction	Vertical up	Vertical down	Radial
Displacement limiter clearance (mm)	4	4	3

Sweden  
Tel: +46 176 20 78 80  
e-mail: [info@vibratec.se](mailto:info@vibratec.se)

Norway  
Tel: +47 33 07 07 50  
e-mail: [info@vibratec.no](mailto:info@vibratec.no)

Denmark  
Tel: +45 49 13 22 44  
e-mail: [info@vibratec.dk](mailto:info@vibratec.dk)

Estonia  
Tel: +372 56 66 29 93  
e-mail: [info@vibratec.ee](mailto:info@vibratec.ee)