

Series A13

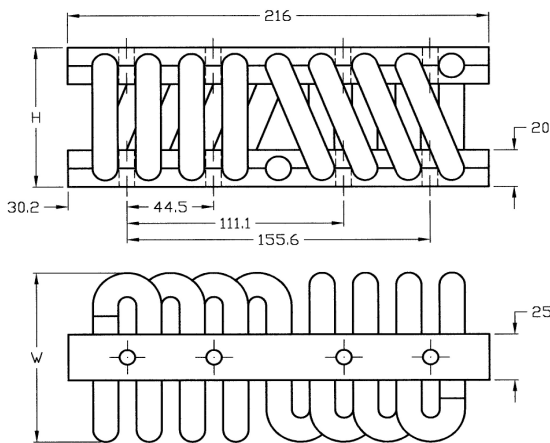


APN CABLE MOUNTS

Combined all-metal multidirectional antivibration and anti-shock mounts

- No aging
- Corrosion resistant
- High inherent damping
- Very low amplification at resonance
- Severe shock attenuation
- Wide temperature range (-180°C to +300°C)
- Maintenance free

Series A13 - Standard Series - Dimensions Pressed Design



The number of wire rope loops can be less than 10, f.inst. 4, 6 or 8, where at the load range is correspondingly reduced.

Cable mount type number	Height (H) (mm)	Width (W) (mm)	Mass (kg)
A130216-108	108	133	2.4
A130216-095	95	121	2.2
A130216-089	89	105	2.0
A130216-083	83	102	1.9
A130216-076	76	92	1.7

FIXTURE HOLES	Upper bar	Through holes 9 mm	Through holes, countersunk	Inserts M8
	Lower bar			
Through holes 9 mm		II	IY	IM
Through holes, countersunk		IY	YY	YM
Inserts M8		IM	YM	MM

Each cable mount has six alternative configurations with regard to fixture holes (ref. table to the left). When ordering, make your choice and add the required hole configuration code to the type number.

Example:
A130216-108-YY

Typical Applications:

- ▶ Resilient Suspensions meeting Military Standards
- ▶ Isolation of Sensitive Electronic Equipment
- ▶ Isolation of Generators, Pumps and Compressors
- ▶ Exhaust System Suspension
- ▶ Isolation of Cabinets, Containers, etc.
- ▶ Protection of Equipment during Transport
- ▶ Extreme Temperature Applications

Load mode: **Compression**

Typical load range: 100 - 375 kg

Cable mount type number	Rated load at 10 Hz (kg)	Max. static load (kg)	Max. dyn. travel (mm)
A130216-108	115	225	60
A130216-095	158	263	49
A130216-089	214	329	43
A130216-083	245	346	38
A130216-076	325	411	32

Load mode: **45° Compression/roll**

Typical load range: 60 - 225 kg

Cable mount type number	Rated load at 10 Hz (kg)	Max. static load (kg)	Max. dyn. travel (mm)
A130216-108	68	159	85
A130216-095	93	186	69
A130216-089	127	233	61
A130216-083	145	245	53
A130216-076	192	291	45

Load mode: **Shear and roll**

Typical load range: 15 - 90 kg

Cable mount type number	Rated load at 12 Hz (kg)	Max. static load (kg)	Max. dyn. travel (mm)
A130216-108	18	106	63
A130216-095	25	124	51
A130216-089	34	156	45
A130216-083	39	164	40
A130216-076	52	194	33

Sweden
 Tel: +46 176 20 78 80
 e-mail: info@vibratec.se

Norway
 Tel: +47 33 07 07 50
 e-mail: info@vibratec.no

Denmark
 Tel: +45 49 13 22 44
 e-mail: info@vibratec.dk

Estonia
 Tel: +372 56 66 29 93
 e-mail: info@vibratec.ee