

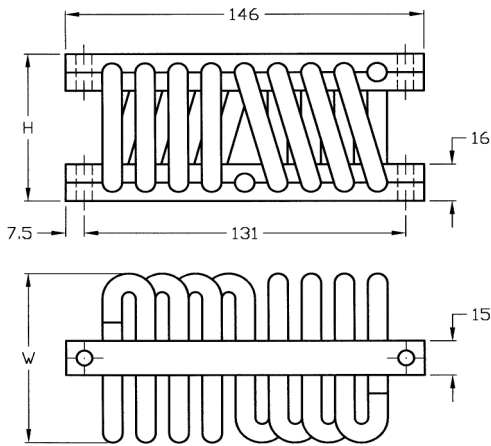


### APN CABLE MOUNTS

Combined all-metal multidirectional antivibration and anti-shock mounts

- No aging
- Corrosion resistant
- High inherent damping
- Very low amplification at resonance
- Severe shock attenuation
- Wide temperature range (-180°C to +300°C)
- Maintenance free

#### Series A08 - Standard Series - Dimensions Pressed Design



The number of wire rope loops can be less than 10, f.inst. 4, 6 or 8, where at the load range is correspondingly reduced.

Cable mount type number	Height (H) (mm)	Width (W) (mm)	Mass (kg)
A080146-083	83	109	0,70
A080146-068	68	96	0,65
A080146-064	64	81	0,60
A080146-060	60	72	0,55
A080146-055	55	64	0,50

FIXTURE HOLES	Upper bar	Through holes 6,5 mm	Through holes, countersunk	Inserts M6
	Lower bar			
Through holes 6,5 mm	II	IY	IM	
Through holes, countersunk	IY	YY	YM	
Inserts M6	IM	YM	MM	

Each cable mount has six alternative configurations with regard to fixture holes (ref. table to the left). When ordering, make your choice and add the required hole configuration code to the type number.

**Example:**  
A080146-083-YY

#### Typical Applications:

- ▶ Resilient Suspensions meeting Military Standards
- ▶ Isolation of Sensitive Electronic Equipment
- ▶ Isolation of Generators, Pumps and Compressors
- ▶ Exhaust System Suspension
- ▶ Isolation of Cabinets, Containers, etc.
- ▶ Protection of Equipment during Transport
- ▶ Extreme Temperature Applications

#### Load mode: **Compression**

Typical load range: 25 - 100 kg

Cable mount type number	Rated load at 10 Hz (kg)	Max. static load (kg)	Max. dyn. travel (mm)
A080146-083	30	49	48
A080146-068	45	59	34
A080146-064	62	77	31
A080146-060	80	92	27
A080146-055	105	110	23

#### Load mode: 45° **Compression/roll**

Typical load range: 15 - 70 kg

Cable mount type number	Rated load at 10 Hz (kg)	Max. static load (kg)	Max. dyn. travel (mm)
A080146-083	18	35	67
A080146-068	27	42	48
A080146-064	37	54	43
A080146-060	47	65	38
A080146-055	62	78	32

#### Load mode: **Shear and roll**

Typical load range: 4 - 20 kg

Cable mount type number	Rated load at 12 Hz (kg)	Max. static load (kg)	Max. dyn. travel (mm)
A080146-083	5	21	50
A080146-068	7	25	36
A080146-064	10	32	32
A080146-060	13	39	28
A080146-055	17	47	24

Sweden  
 Tel: +46 176 20 78 80  
 e-mail: [info@vibratec.se](mailto:info@vibratec.se)

Norway  
 Tel: +47 33 07 07 50  
 e-mail: [info@vibratec.no](mailto:info@vibratec.no)

Denmark  
 Tel: +45 49 13 22 44  
 e-mail: [info@vibratec.dk](mailto:info@vibratec.dk)

Estonia  
 Tel: +372 56 66 29 93  
 e-mail: [info@vibratec.ee](mailto:info@vibratec.ee)