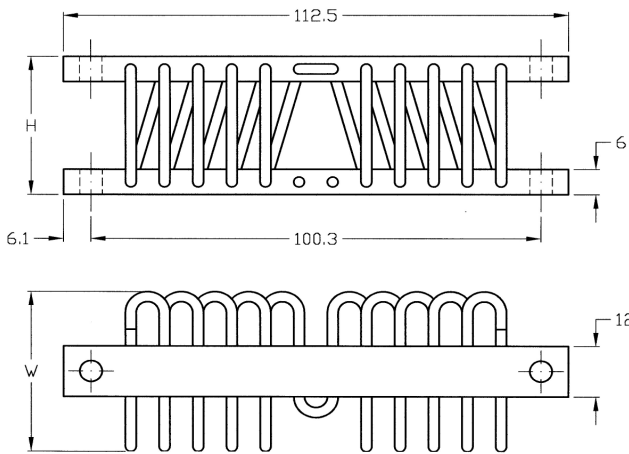




Series A02 - Standard Series - Dimensions Pressed Design



The number of wire rope loops can be less than 10, f.inst. 4, 6 or 8, where at the load range is correspondingly reduced.

Cable mount type number	Height (H) (mm)	Width (W) (mm)	Mass (kg)
A025112-038	38	43	0.07
A025112-033	33	38	0.06
A025112-028	28	33	0.06
A025112-025	25	30	0.055
A025112-023	23	28	0.055

Upper bar	Through holes 5,5 mm	Through holes, countersunk	Inserts M5	FIXTURE HOLES
				Lower bar
Through holes 5,5 mm	II	IY	IM	
Through holes, countersunk	IY	YY	YM	
Inserts M5	IM	YM	MM	

Each cable mount has six alternative configurations with regard to fixture holes (ref. table to the left). When ordering, make your choice and add the required hole configuration code to the type number.

**Example:**  
A025112-038-YY

### APN CABLE MOUNTS

Combined all-metal multidirectional antivibration and anti-shock mounts

- No aging
- Corrosion resistant
- High inherent damping
- Very low amplification at resonance
- Severe shock attenuation
- Wide temperature range (-180°C to +300°C)
- Maintenance free

### Typical Applications:

- ▶ Resilient Suspensions meeting Military Standards
- ▶ Isolation of Sensitive Electronic Equipment
- ▶ Isolation of Generators, Pumps and Compressors
- ▶ Exhaust System Suspension
- ▶ Isolation of Cabinets, Containers, etc.
- ▶ Protection of Equipment during Transport
- ▶ Extreme Temperature Applications

Load mode: **Compression**

Typical load range: 4 - 12 kg

Cable mount type number	Rated load at 10 Hz (kg)	Max. static load (kg)	Max. dyn. travel (mm)
A025112-038	5.6	6.0	23
A025112-033	8.3	8.3	18
A025112-028	10.9 (14 Hz)	10.9	14
A025112-025	12.5 (14 Hz)	12.5	11
A025112-023	13.8 (15 Hz)	13.8	9

Load mode: 45° **Compression/roll**

Typical load range: 3 - 10 kg

Cable mount type number	Rated load at 10 Hz (kg)	Max. static load (kg)	Max. dyn. travel (mm)
A025112-038	3.4	4.3	32
A025112-033	4.8	5.4	26
A025112-028	7.3	7.3	19
A025112-025	8.8 (11 Hz)	8.8	16
A025112-023	10.3 (12 Hz)	10.3	13

Load mode: **Shear and roll**

Typical load range: 0,6 - 4 kg

Cable mount type number	Rated load at 12 Hz (kg)	Max. static load (kg)	Max. dyn. travel (mm)
A025112-038	0.8	2.6	24
A025112-033	1.3	3.2	19
A025112-028	2.3	4.2	14
A025112-025	3.7	5.1	12
A025112-023	5.4	5.8	10

Sweden  
 Tel: +46 176 20 78 80  
 e-mail: [info@vibratec.se](mailto:info@vibratec.se)

Norway  
 Tel: +47 33 07 07 50  
 e-mail: [info@vibratec.no](mailto:info@vibratec.no)

Denmark  
 Tel: +45 49 13 22 44  
 e-mail: [info@vibratec.dk](mailto:info@vibratec.dk)

Estonia  
 Tel: +372 56 66 29 93  
 e-mail: [info@vibratec.ee](mailto:info@vibratec.ee)