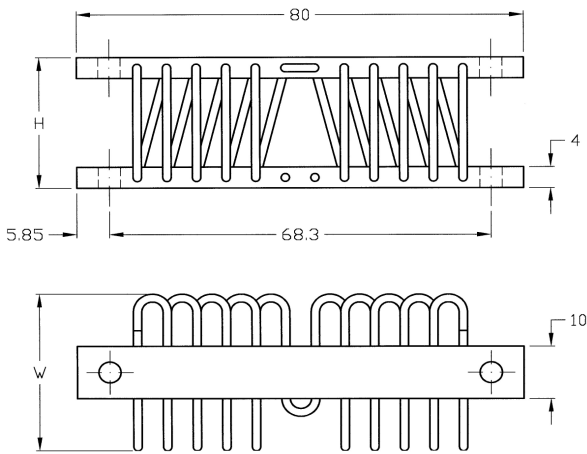




Series A01 - Standard Series - Dimensions
 Pressed Design



The number of wire rope loops can be less than 10, f.inst. 4, 6 or 8, where at the load range is correspondingly reduced.

Cable mount type number	Height (H) (mm)	Width (W) (mm)	Mass (kg)
A015080-033	33	38	0,025
A015080-030	30	35	0,025
A015080-025	25	30	0,02
A015080-020	20	28	0,02
A015080-018	18	25	0,02

FIXTURE HOLES	Upper bar	Through holes 4.8 mm	Through holes, countersunk	Inserts M4
	Lower bar			
Through holes 4.8 mm		II	IY	IM
Through holes, countersunk		IY	YY	YM
Inserts M4		IM	YM	MM

Each cable mount has six alternative configurations with regard to fixture holes (ref. table to the left). When ordering, make your choice and add the required hole configuration code to the type number.
Example:
 A015080-033-YY

APN CABLE MOUNTS

Combined all-metal multidirectional antivibration and anti-shock mounts

- No aging
- Corrosion resistant
- High inherent damping
- Very low amplification at resonance
- Severe shock attenuation
- Wide temperature range (-180°C to +300°C)
- Maintenance free

Typical Applications:

- ▶ Resilient Suspensions meeting Military Standards
- ▶ Isolation of Sensitive Electronic Equipment
- ▶ Isolation of Generators, Pumps and Compressors
- ▶ Exhaust System Suspension
- ▶ Isolation of Cabinets, Containers, etc.
- ▶ Protection of Equipment during Transport
- ▶ Extreme Temperature Applications

Load mode: **Compression**

Typical load range: 1.5 - 5 kg

Cable mount type number	Rated load at 10 Hz (kg)	Max. static load (kg)	Max. dyn. travel (mm)
A015080-033	2.2	2.3	22
A015080-030	2.7	2.7	19
A015080-025	3.6 (12 Hz)	3.6	15
A015080-020	4.0 (14 Hz)	4.2	10
A015080-018	5.3 (15 Hz)	5.3	9

Load mode: 45° **Compression/roll**

Typical load range: 1 - 3,5 kg

Cable mount type number	Rated load at 10 Hz (kg)	Max. static load (kg)	Max. dyn. travel (mm)
A015080-033	1.4	1.7	31
A015080-030	1.7	1.9	27
A015080-025	2.6	2.6	21
A015080-020	3.0 (12 Hz)	3.0	15
A015080-018	3.7 (13 Hz)	3.7	12

Load mode: **Shear and roll**

Typical load range: 1 - 3,5 kg

Cable mount type number	Rated load at 12 Hz (kg)	Max. static load (kg)	Max. dyn. travel (mm)
A015080-033	0.35	1.0	23
A015080-030	0.45	1.2	20
A015080-025	0.75	1.5	16
A015080-020	1.25	1.8	11
A015080-018	2.05	2.2	9

Sweden
 Tel: +46 176 20 78 80
 e-mail: info@vibratec.se

Norway
 Tel: +47 33 07 07 50
 e-mail: info@vibratec.no

Denmark
 Tel: +45 49 13 22 44
 e-mail: info@vibratec.dk

Estonia
 Tel: +372 56 66 29 93
 e-mail: info@vibratec.ee