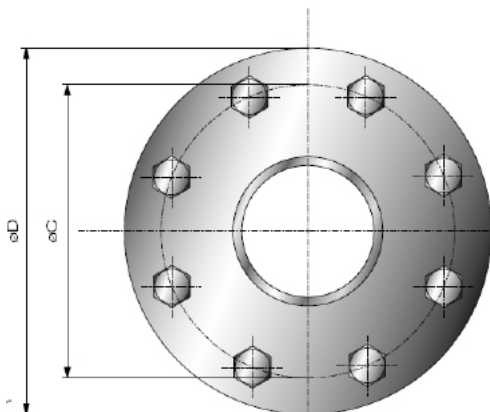
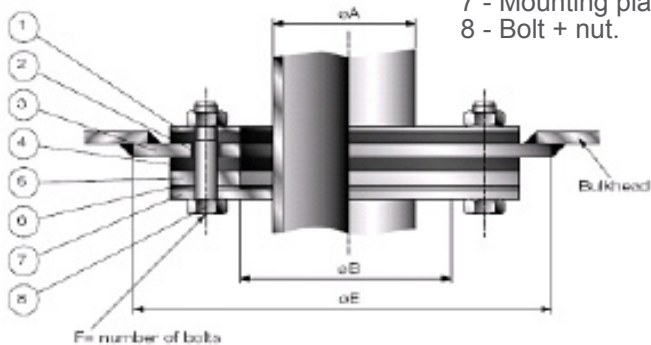


- 1 - Stop collar;
- 2 - Rubber ring;
- 3 - Bulkhead;
- 4 - Rubber ring;
- 5 - Insulation ring;
- 6 - Gasket;
- 7 - Mounting plate;
- 8 - Bolt + nut.



### Bulkhead penetration

#### Description

Vibratec provides a series of watertight bulkhead penetrations. They are delivered as complete sets, with no need for drilling or burning through plates. All you need to do is to burn a hole in the bulkhead, lead the pipes through and fix by welding.

When leading exhaust pipes through bulkheads, direct contact must be avoided, to prevent transfer of heat and vibrations (noise) to the construction. This can be safely done by applying bulkhead penetrations of type BHP.

In somewhat adapted from these lead-troughs can be applied to stationary situations, like buildings, as well.

Our deck and bulkhead penetrations permit free extension of pipes and limit noise transfer to minimum values. By applying lagging temperature transfer to the construction is minimized as well.

#### Mounting

Mounting bulkhead penetrations is extremely simple, all you have to do is burn a hole in the bulkhead according to the sizes on the below chart.

Removet the gasket, insulation ring and rubber rings before welding!

#### Dimensions

NB	$\phi A$ [mm]	$\phi B$ [mm]	$\phi C$ [mm]	$\phi D$ [mm]	$\phi E$ [mm]	F	$\phi$ Opening in bulkhead [mm]
050	60,3	160	200	240	300	8	280
065	76,1	160	200	240	300	8	280
080	88,9	160	200	240	300	8	280
100	114,3	230	270	310	370	8	350
125	139,7	230	270	310	370	8	350
150	168,3	230	270	310	370	8	350
200	219,1	320	370	420	480	8	460
250	273,0	370	420	470	530	8	510
300	323,9	445	495	545	605	12	585
350	355,6	445	495	545	605	12	585
400	406,4	500	550	600	660	12	640
450	457,2	550	600	650	710	12	690
500	506,0	600	650	700	760	12	740

Other dimensions on request